

**SCHLETTER**

Tilman Elsner

# COMPANY + PRODUCT PRESENTATION

WE SUPPORT SOLAR.

Welcome to



SegenX

IT'S TIME  
TO GO BEYOND.

Presentation 18.07.2023

Tortworth Court, Bristol, UK

# FACTS AND FIGURES

**SCHLETTER**

**1968**

FOUNDED IN BAVARIA

**> 600**

EMPLOYEES

**> 45 GW**

SYSTEMS INSTALLED WORLDWIDE

**> 580**

PRODUCTS FOR ALL SOLAR MOUNTING NEEDS

**105**

GLOBAL PATENTS SECURED

**> 34 M**

SCHLETTER ROOF HOOKS INSTALLED





## STRUCTURAL SAFETY

Material utilization  
Technical solution  
Structural design  
Design details



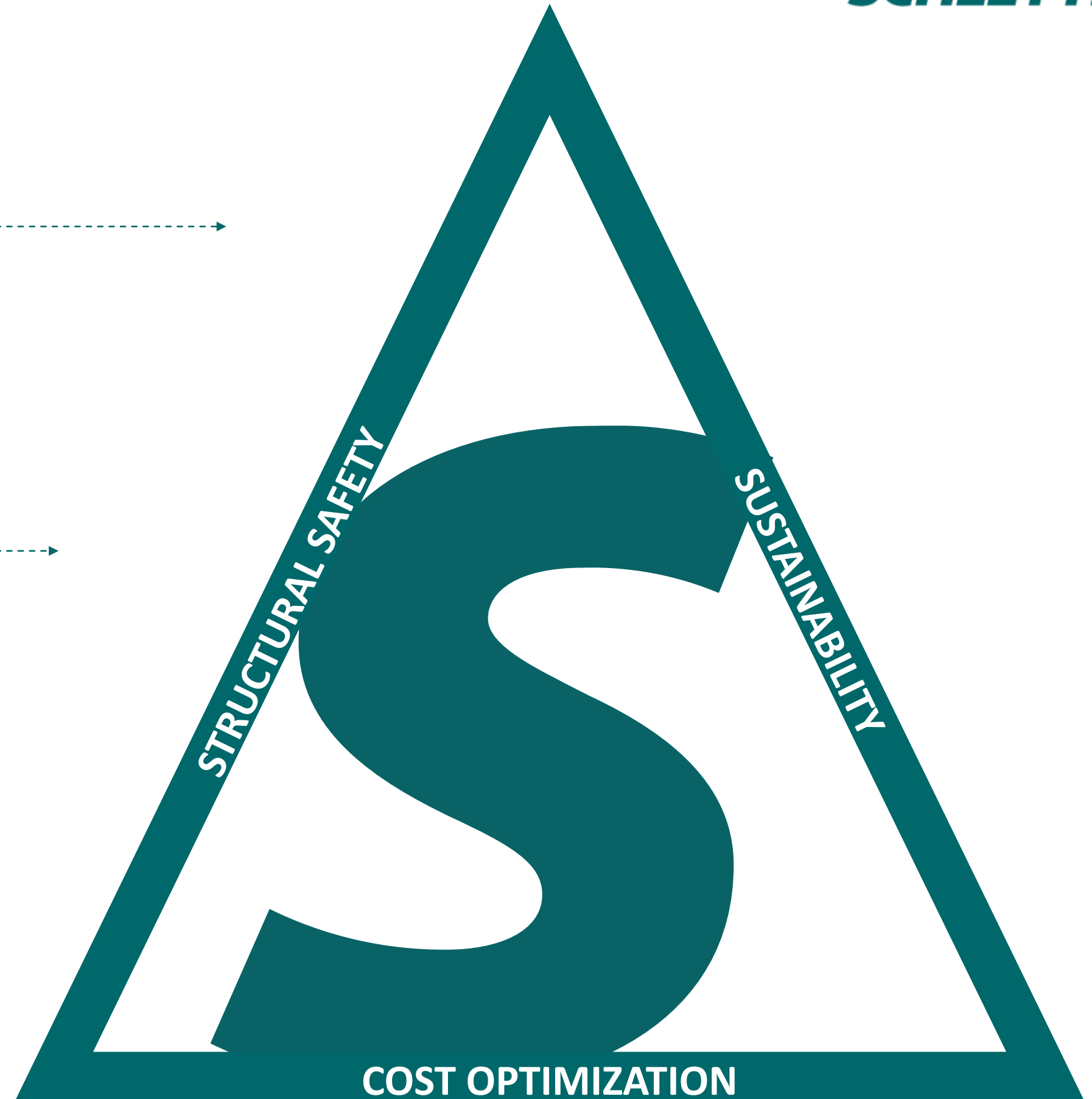
## SUSTAINABILITY

Material selection  
Durability  
Recycling  
Maintenance



## COST OPTIMIZATION

Material effort  
Manufacturing  
Logistics  
Mounting efficiency



# CERTIFIED QUALITY

**SCHLETTER**

- Highest quality materials
- Up to 25-year warranty
- ISO 9001:2015 Quality Management
- ISO 14001:2015 Environmental Management
- DIN EN 1090:2012 Execution of steel and aluminum structures
- MCS Product Certification
- ETA European Technical approval
- UL Certifications
- ETN certifications
- Individual component tests and approvals
- Own laboratory and practical tests



LTR AE-001

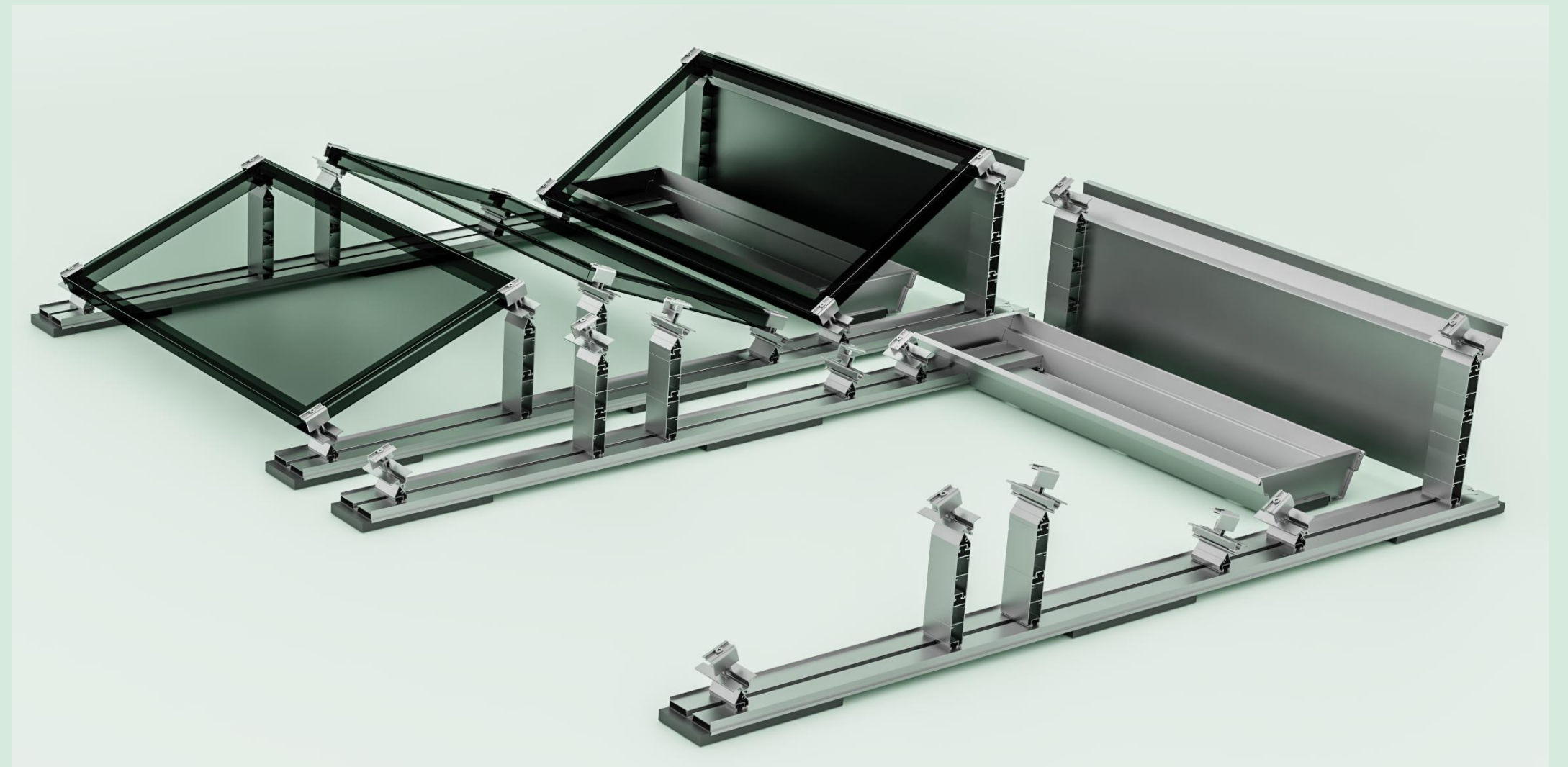


# FIXGRID PRO

## ROOFTOP SYSTEM

**Designed for energy production on flat roofs  
with the optimization and reduction of ballast  
through improved aerodynamics**

- Planning and assembly flexible and time-saving
- Facilitated assembly and wiring of the modules
- Compatible with ProLine series module clamps
- Extensive assembly variants can be realized with just a few components
- Module support Pro allows flexible adjustment to the desired angle of inclination
- Toolless mounting of the Pro elevation profiles
- Modules can be mounted crosswise and upright
- Module clamping can be done on the short or long module frame side



# FIXGRID PRO

## SYSTEM OVERVIEW

FixGrid Pro (version 5° / 10° / 15°)

with only 2 elevation components

- Modul fixation with various inclination possibilites
- Front- and Back-parts will be clipped together



1x Front part (independent of angle)

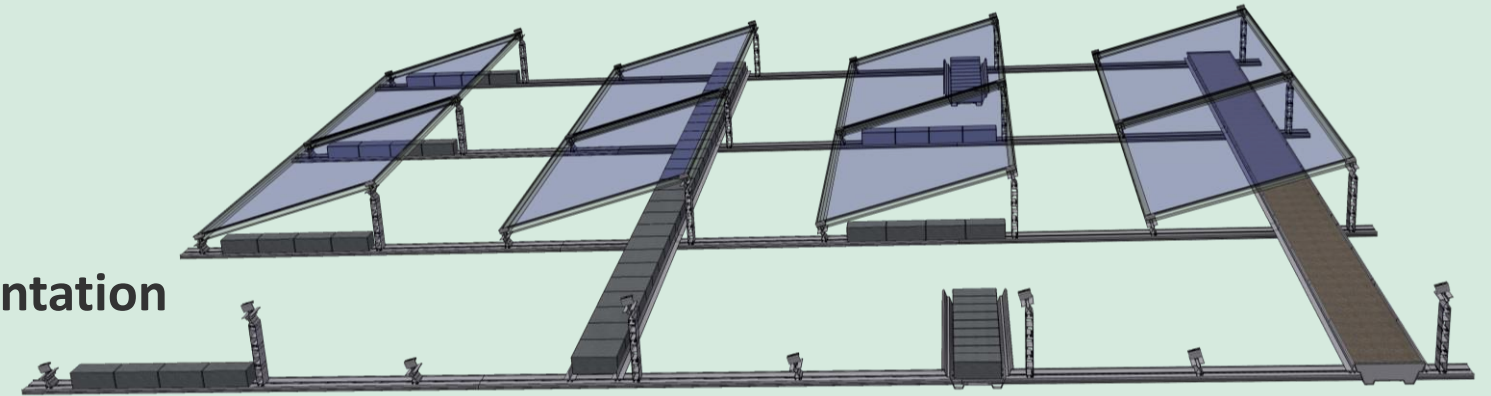
**Module Support Pro**



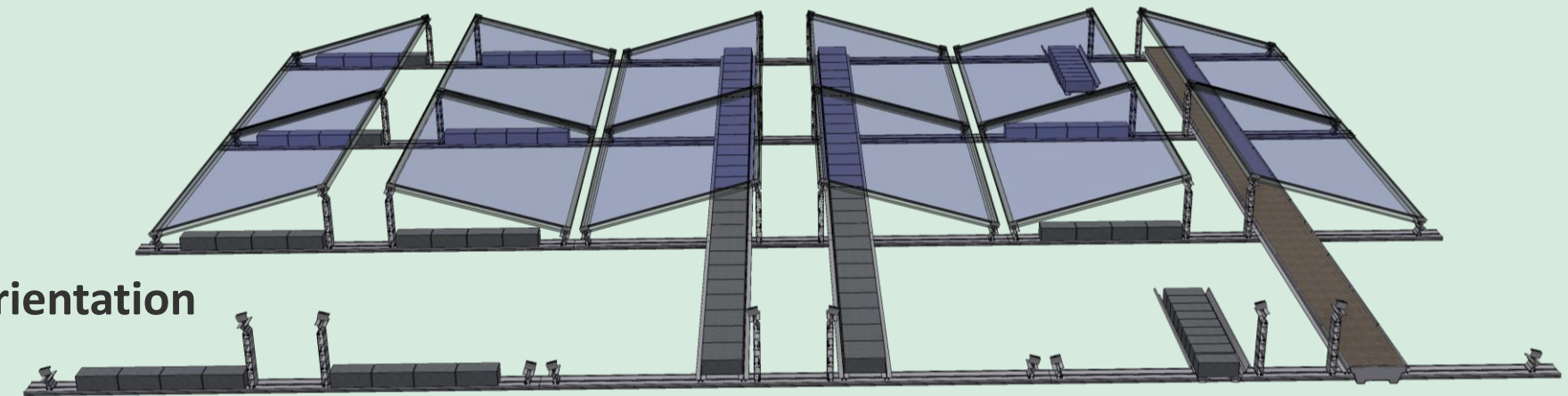
1x Back part (independent of angle)

**Elevation Pro**

South orientation



East-West orientation

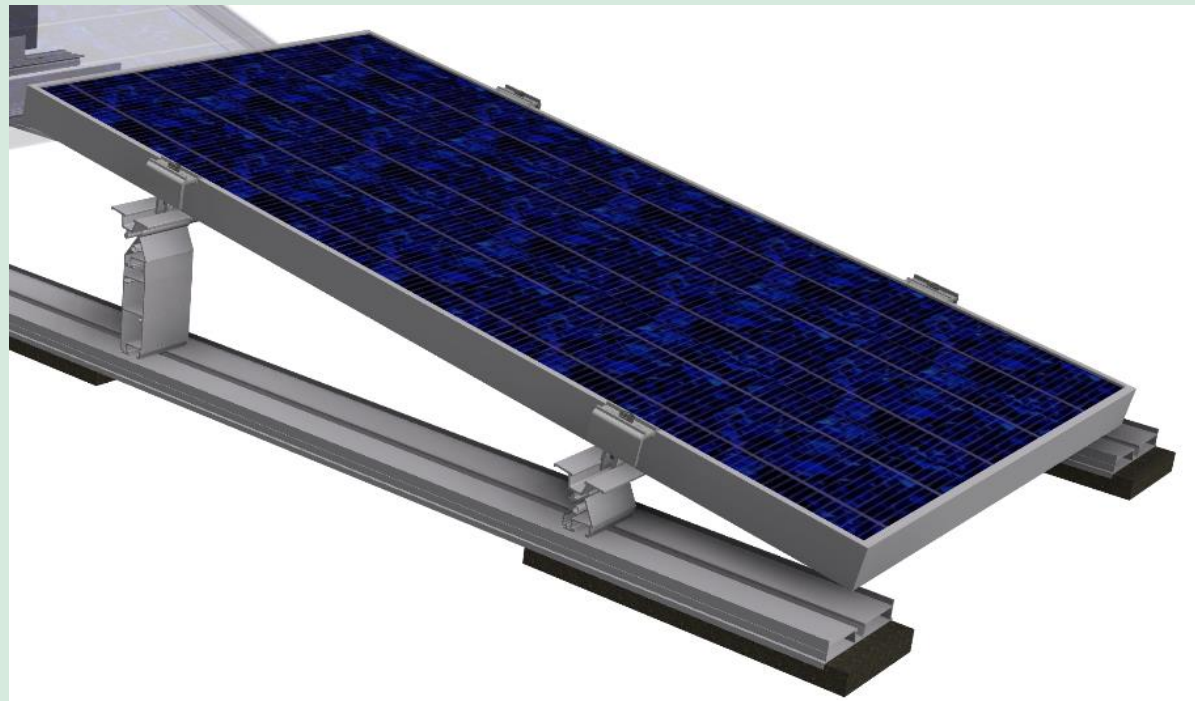




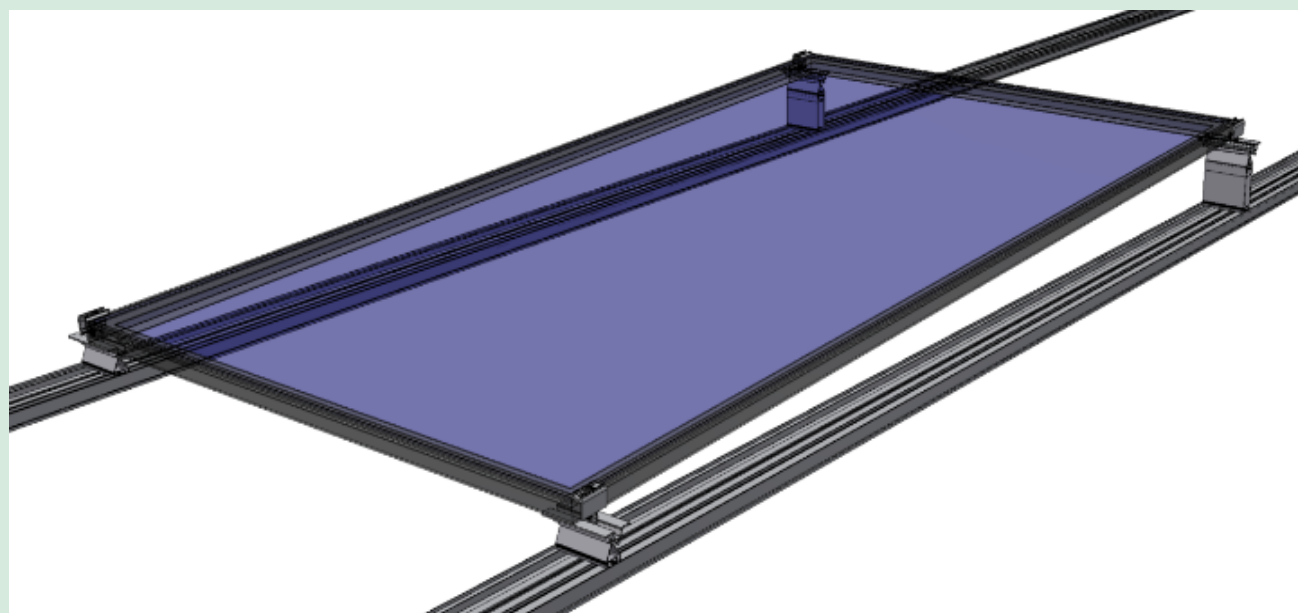
# FIXGRID PRO

## SYSTEM OVERVIEW

### FixGrid Pro Portrait (version 5° / 10°)

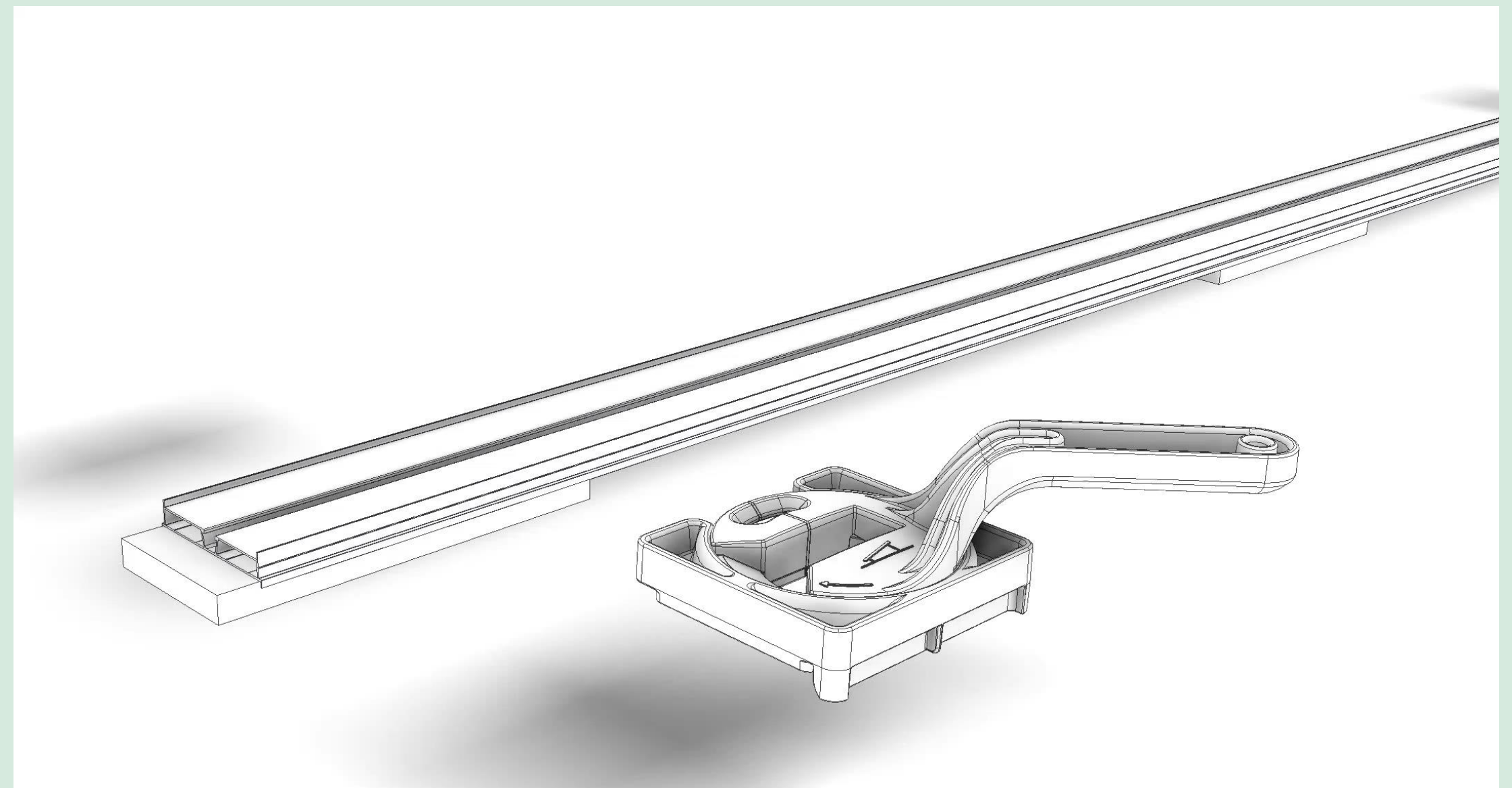
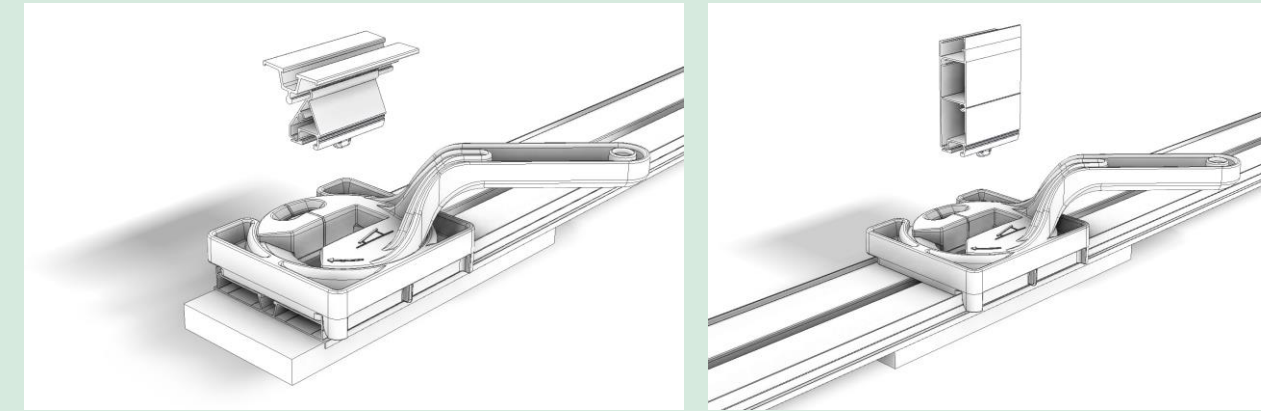


Module fixation on the long frame side (quarter points)



Module fixation at the corner on the long frame side

### FixGrid Pro Installation Tool

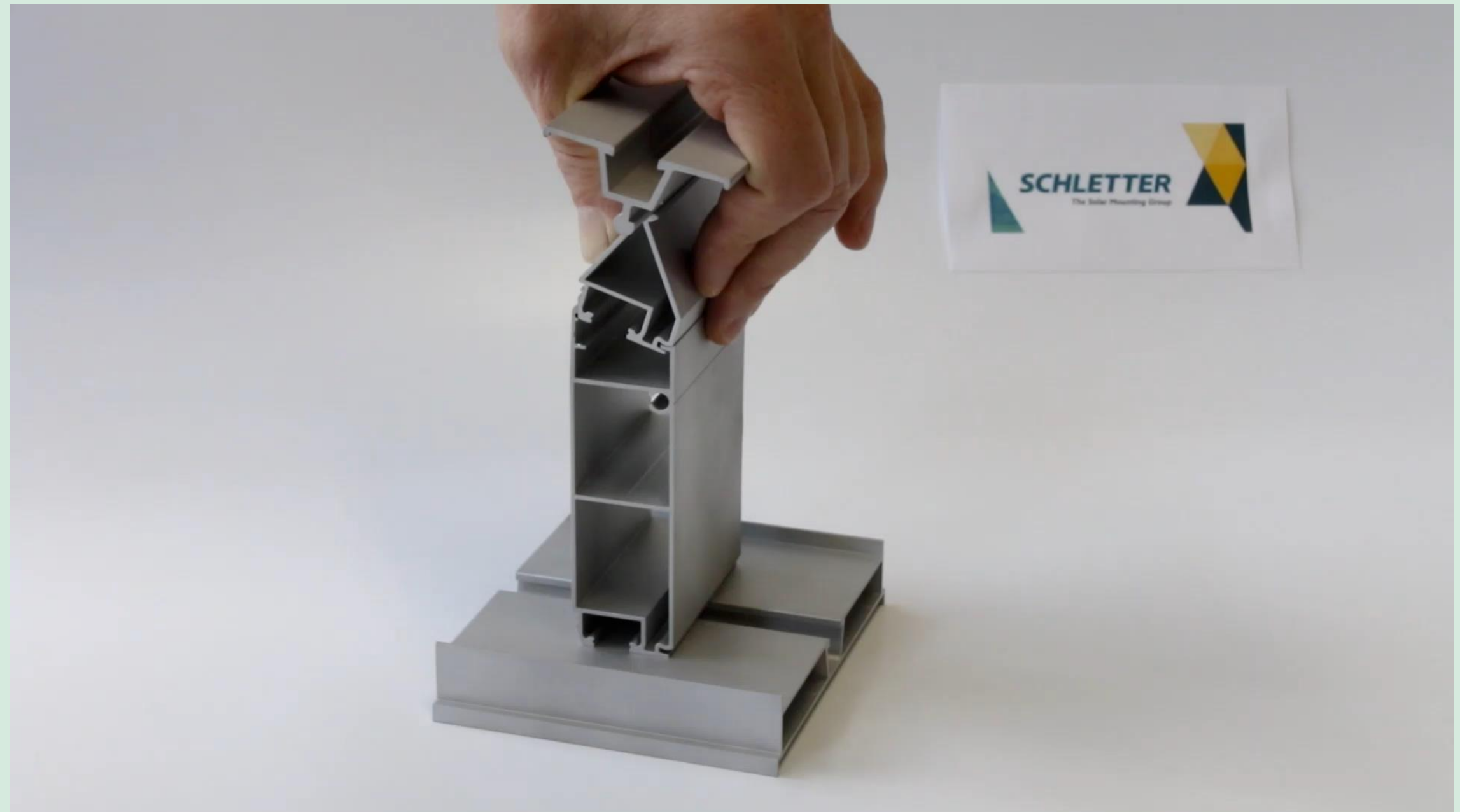
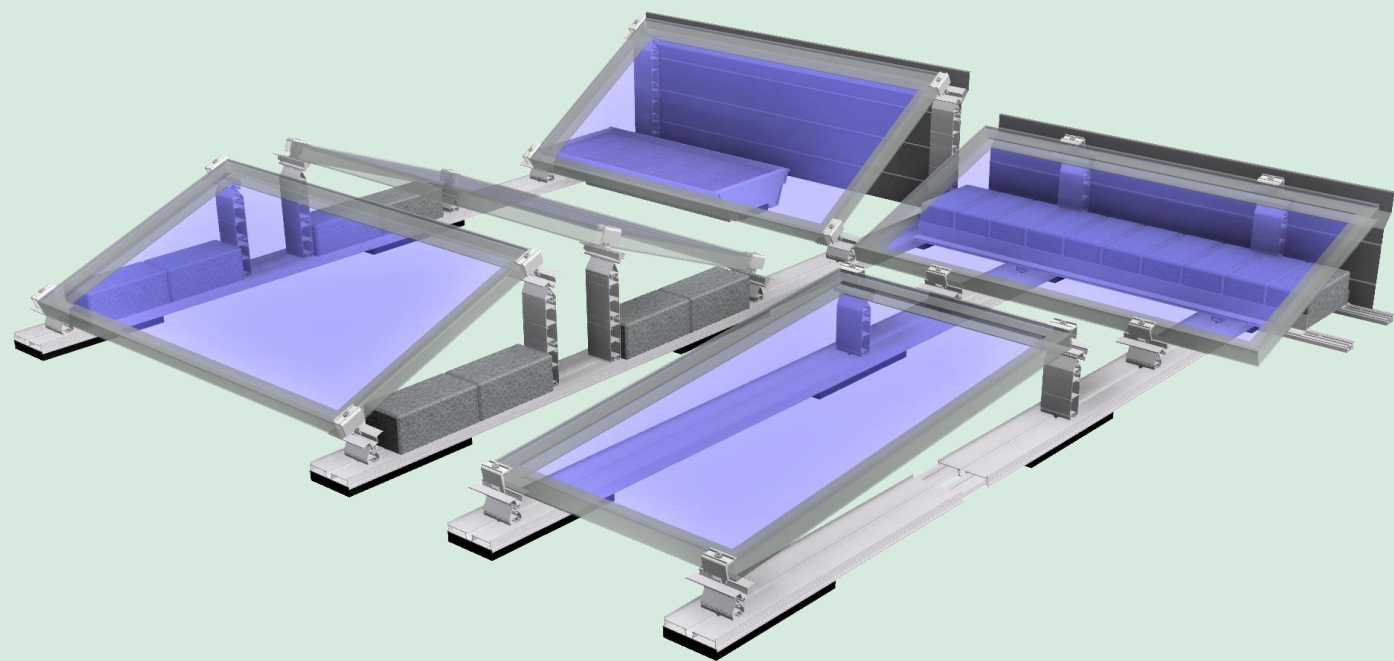


Click on picture to play short clip

# FIXGRID PRO

## BENEFITS

- high flexibility with less components
- worldwide extrusion possibilities
- better maintenance of modules
- less ballast
- expansion of modularity
- max. module dimensions scaled up to 2500 x 1350 mm



Click on picture to play short clip (sound on)



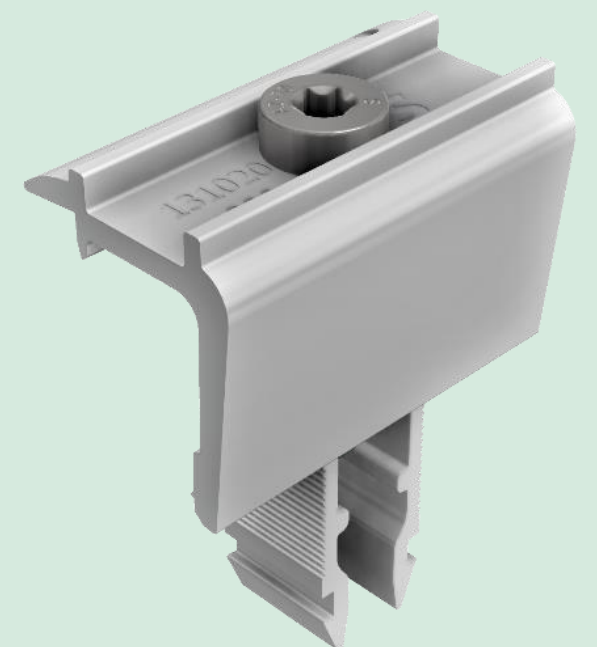
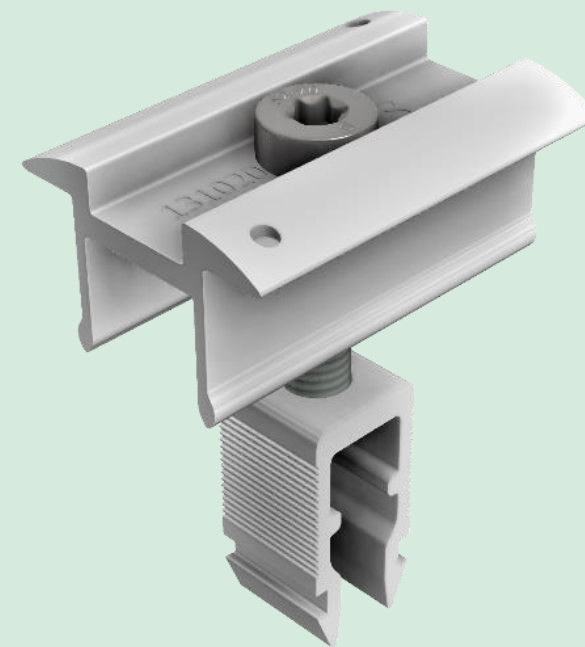
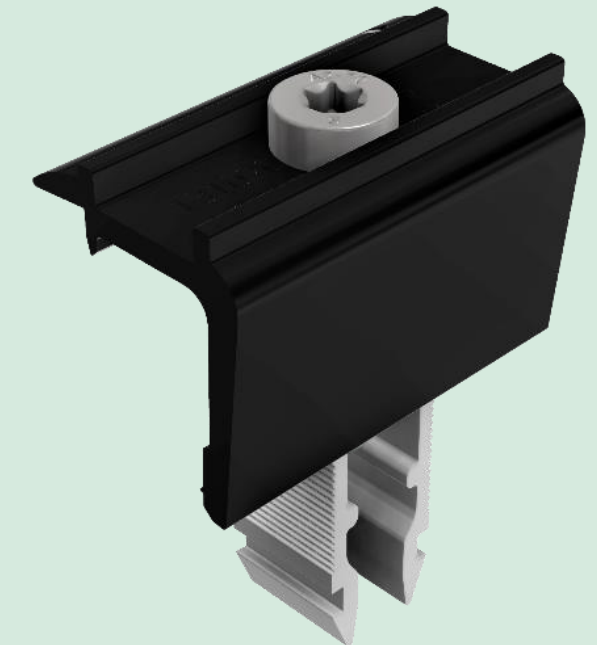
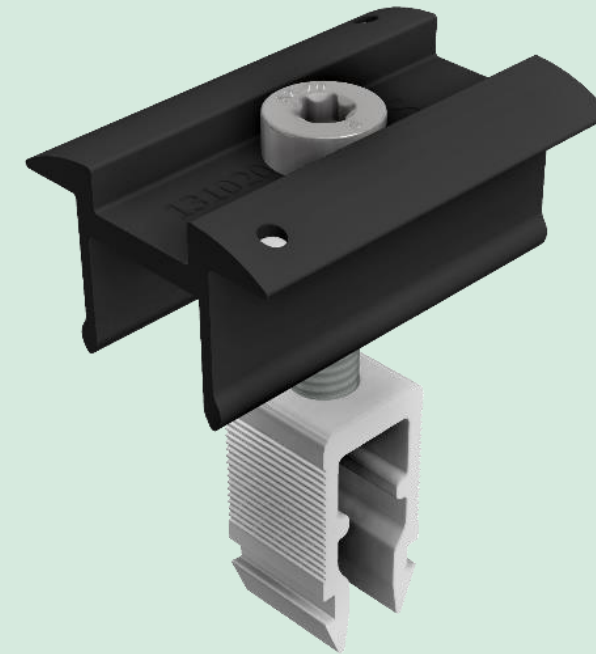
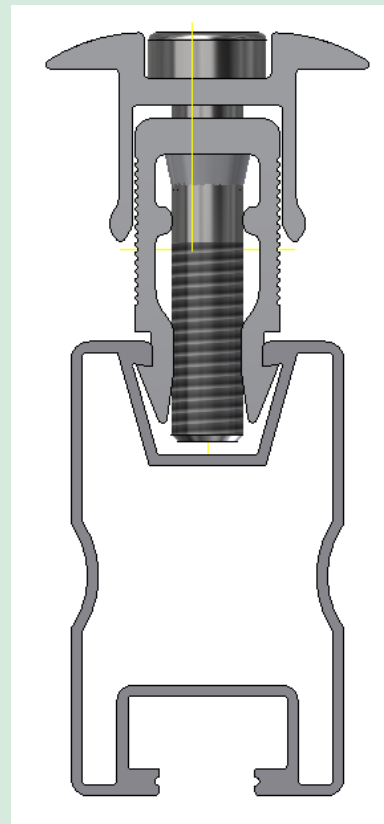
# PROLINE

## MODULE CLAMPS

- Integrated earthing pin
- Pre-assembled
- Quick installation with **Torx T40**
- **One clamp** for modules frame heights from 30 to 47mm

only  
②  
clamps  
required

**SCHLETTER**



Rapid Pro mid clamp

Rapid Pro end clamp

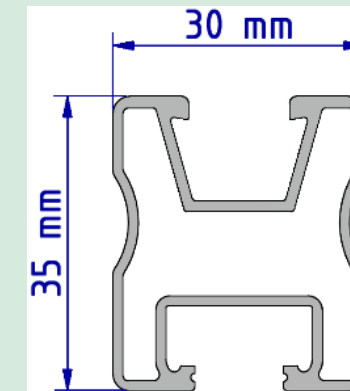
# PROLINE

## PROFILES

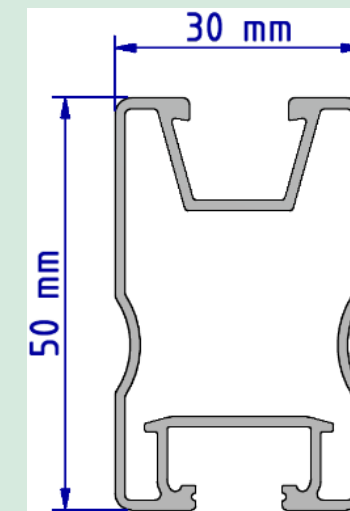
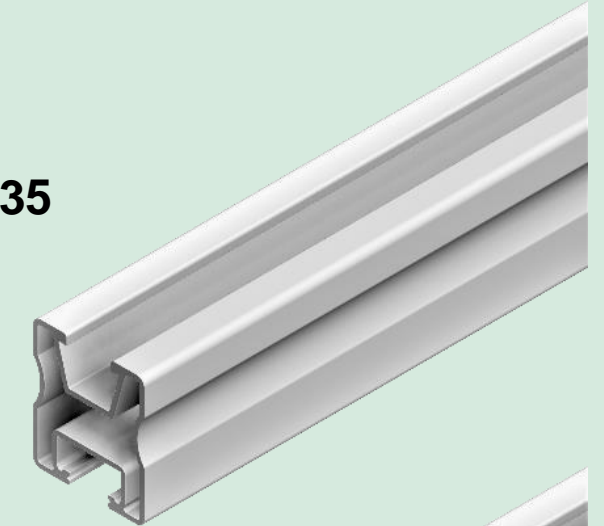
- Small, medium and large spans
- **Reduced material** usage with increased load capacity
- Profile lengths from 2.450mm up to 5.900mm
- **One** tool-free, self-locking slide-in **connector** fits all profiles
- Single plastic end cap for all profiles
- Rapid cross connector 90 Pro fits all profiles
  - Optional alternative: RapidConnect90
- One grounding and lightning protection clamp for DM 8mm wire

④  
different  
profiles  
available

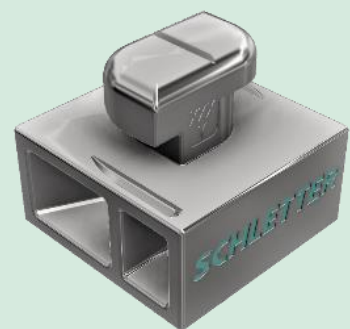
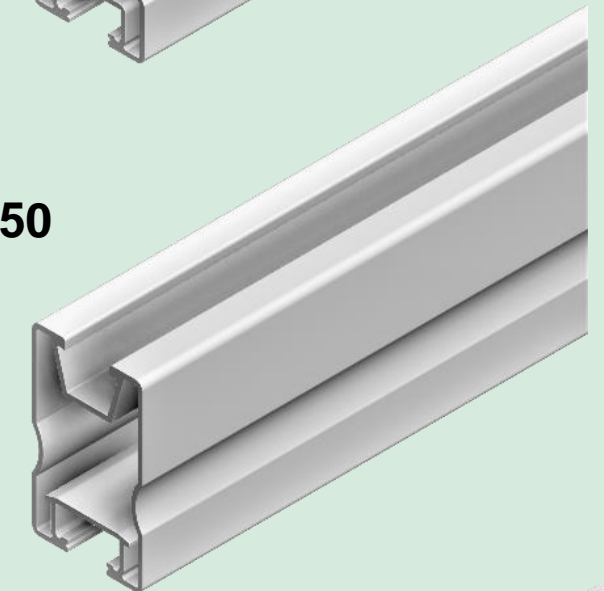
SCHLETTER



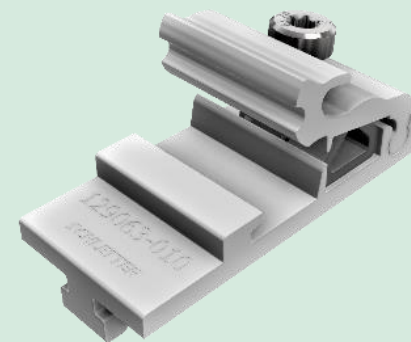
Pro35



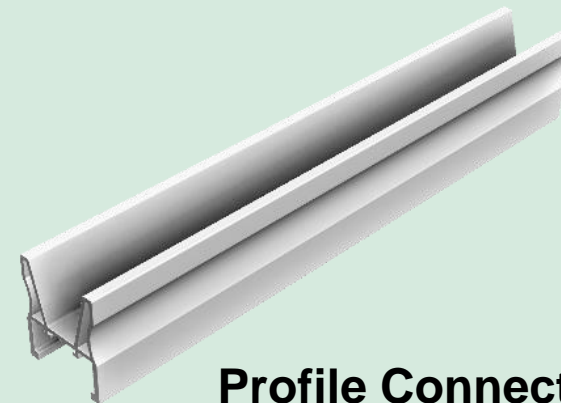
Pro50



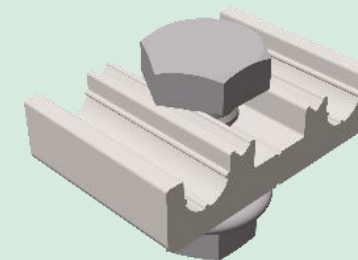
RapidConnect90



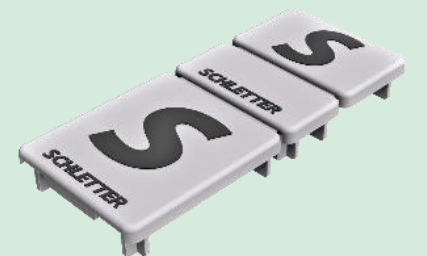
Rapid cross connector 90 Pro



Profile Connector



Grounding &  
Lightning Protection  
Clamp

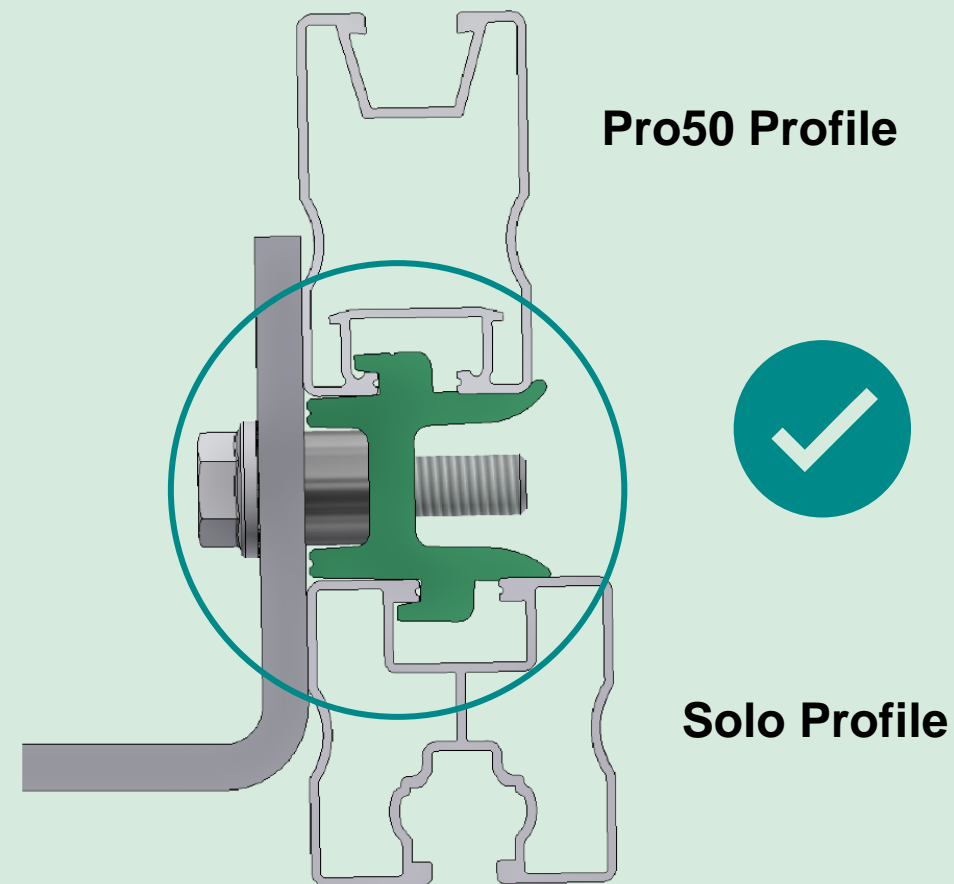


End Cap

# PROLINE

## ROOF HOOKS

- **Flexible Schletter multi-adapter** for all Schletter roof hooks
- **Pre-assembled** and **rotatable** for individual adaption
- **Fully compatible** with all Schletter profiles - **Classic** or **ProLine**



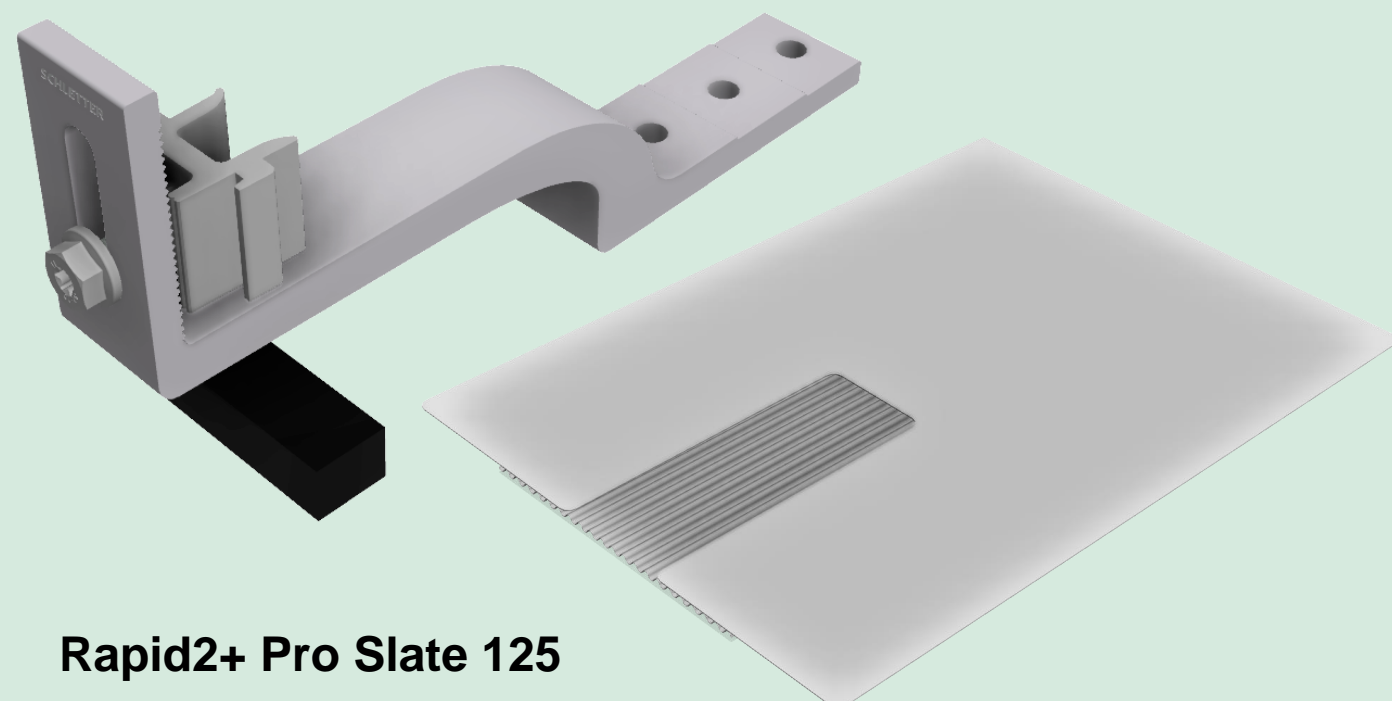
more than  
②0  
different  
roof hooks  
available

**SCHLETTER**



### ROOF HOOK BENEFITS

- Single wood screw (**Torx T40**)
- Pre-assembled multi-adapter (**Torx T40**)
- Height adjustability of 30mm
- Fast and flexible installation





# PROLINE

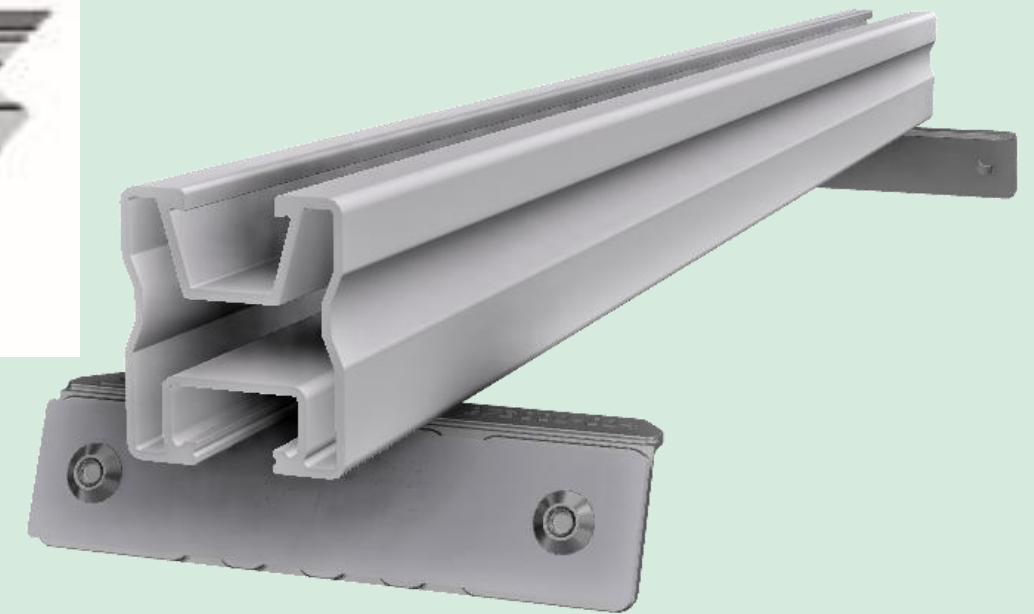
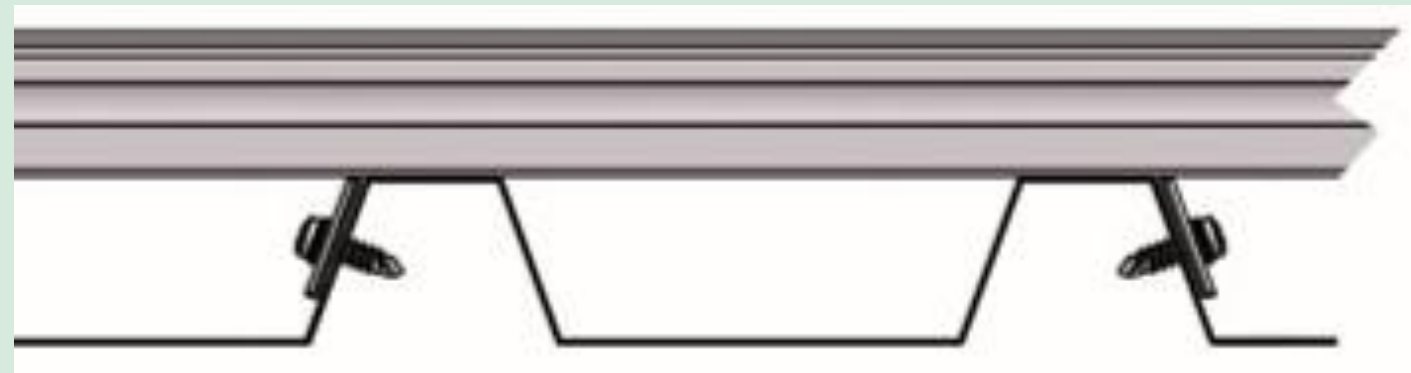
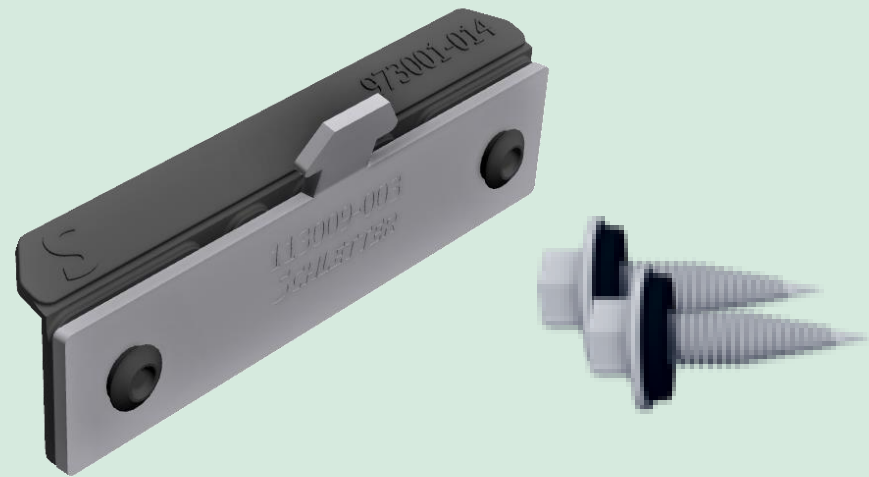
TRAP METAL SHEET ROOFS

② solutions available

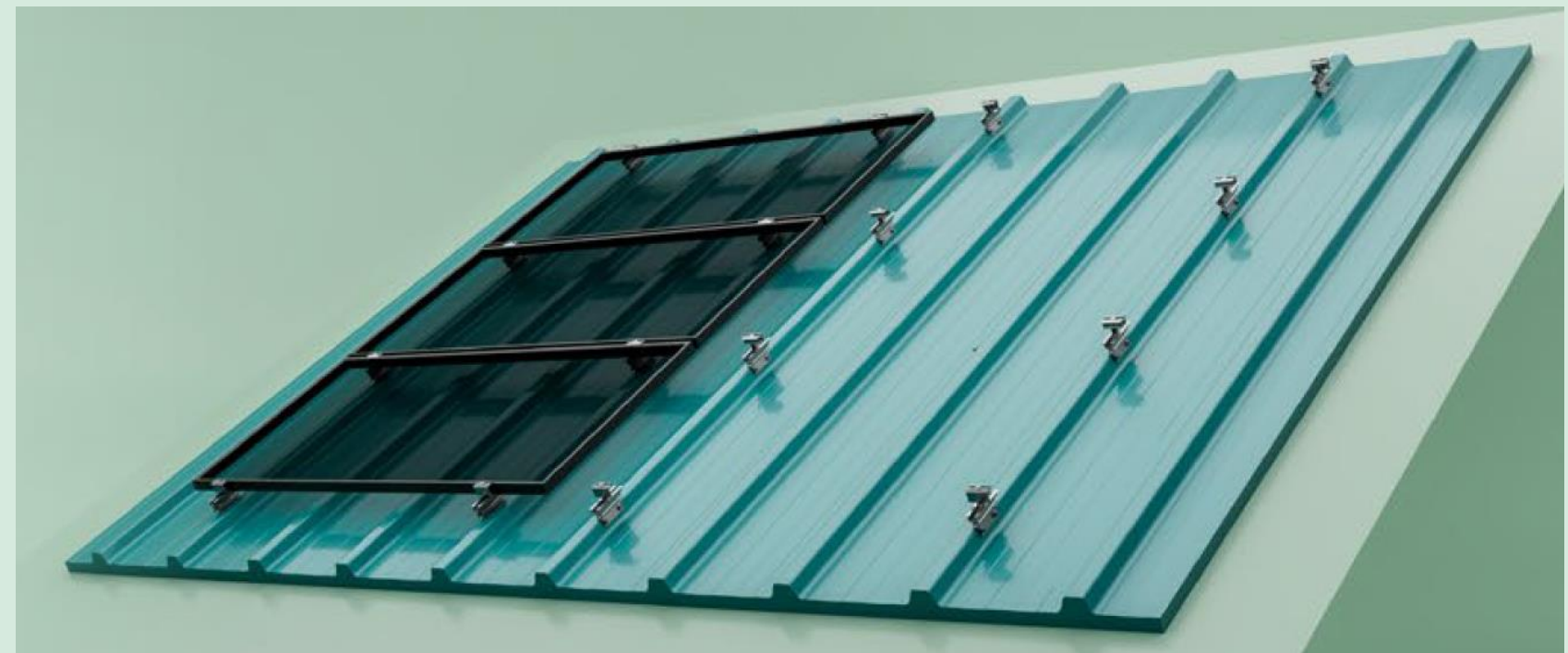
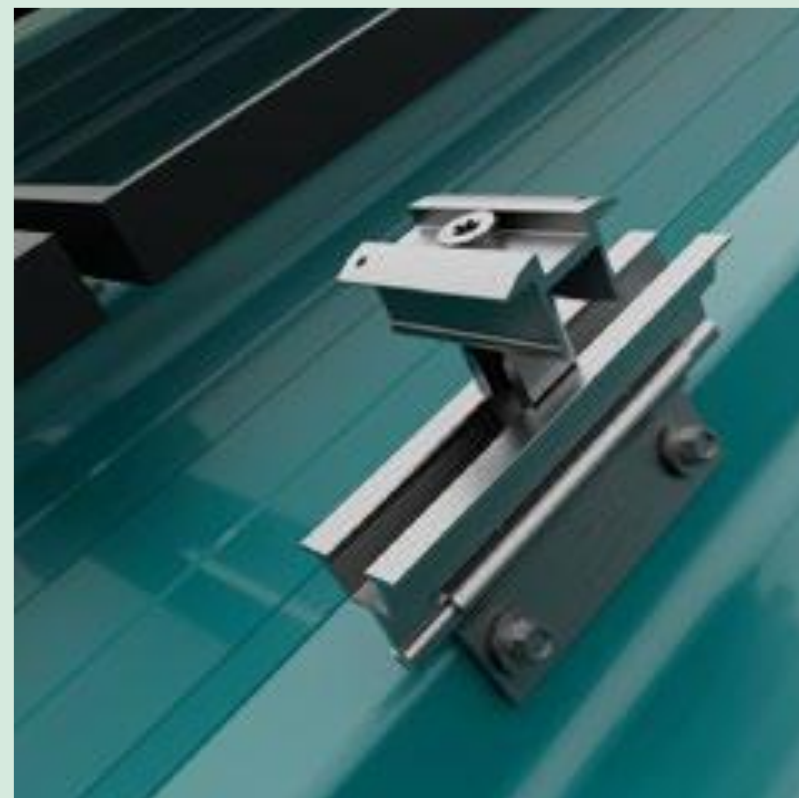
**SCHLETTER**



## SINGLEFIX PRO



## CLAMPFIT PRO



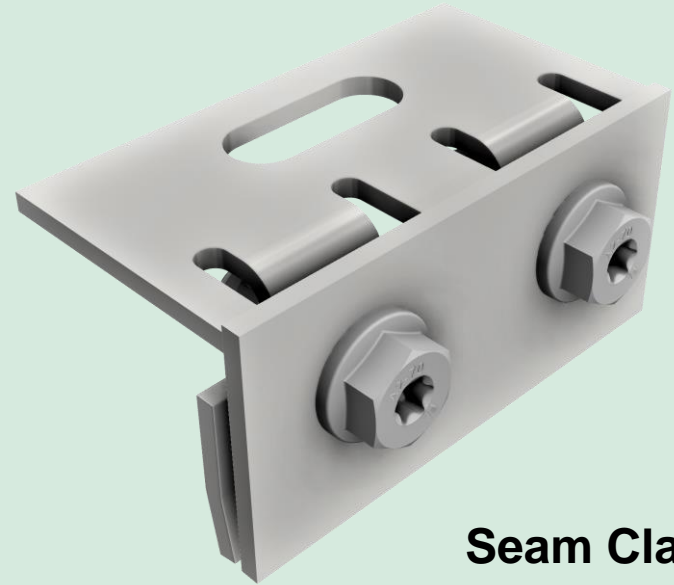


# PROLINE

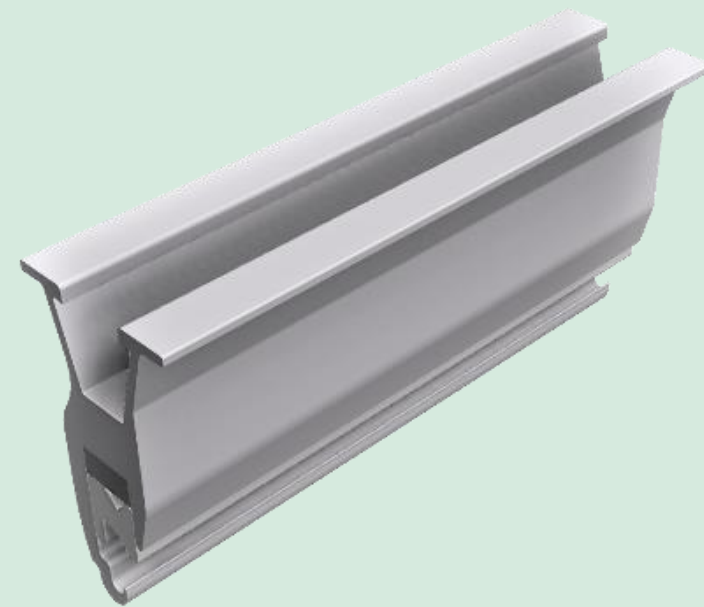
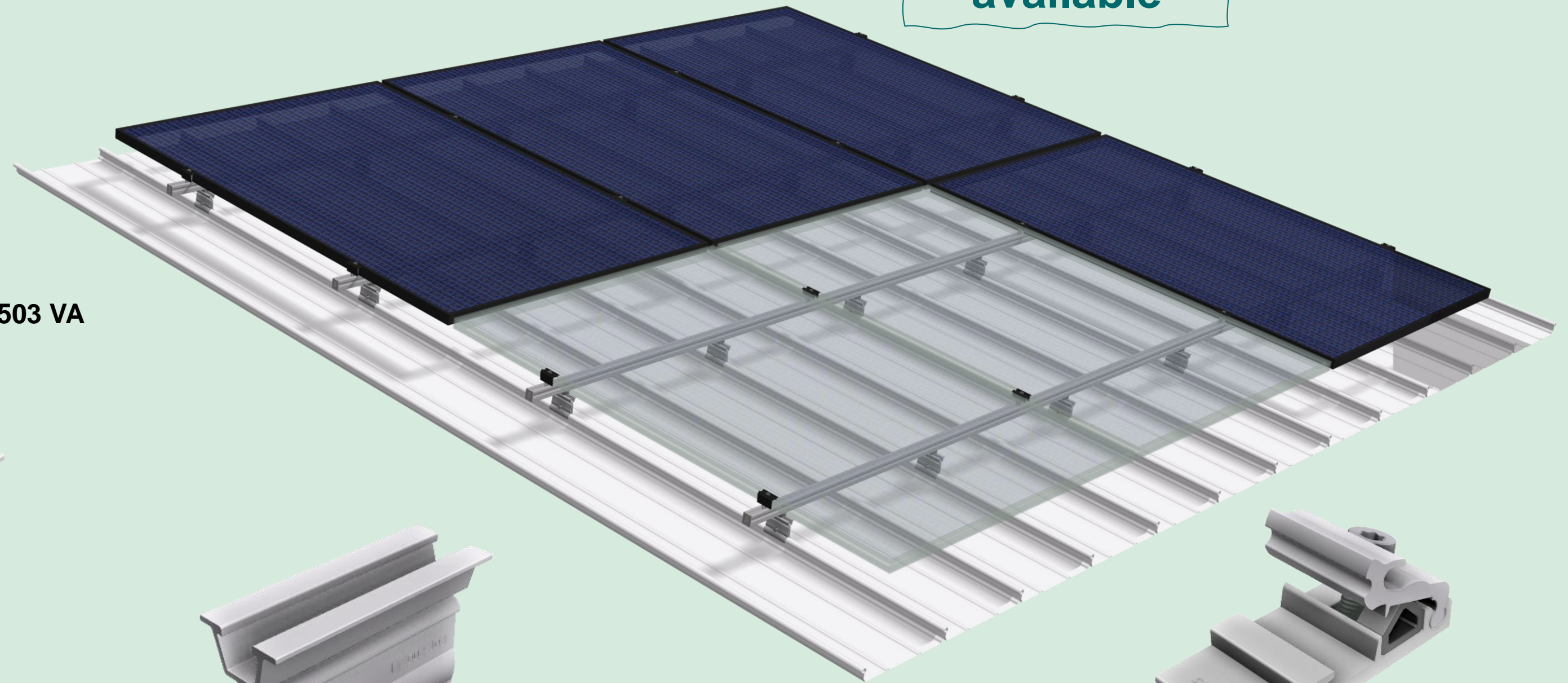
STANDING SEAM CLAMPS

more than  
⑩  
different  
seam clamps  
available

**SCHLETTER**



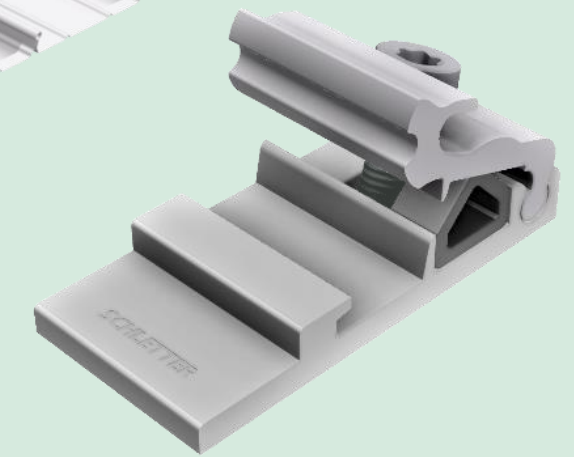
Seam Clamp 503 VA



Seam Clamp Pro  
504



Seam Clamp Pro  
510 for Kalzip



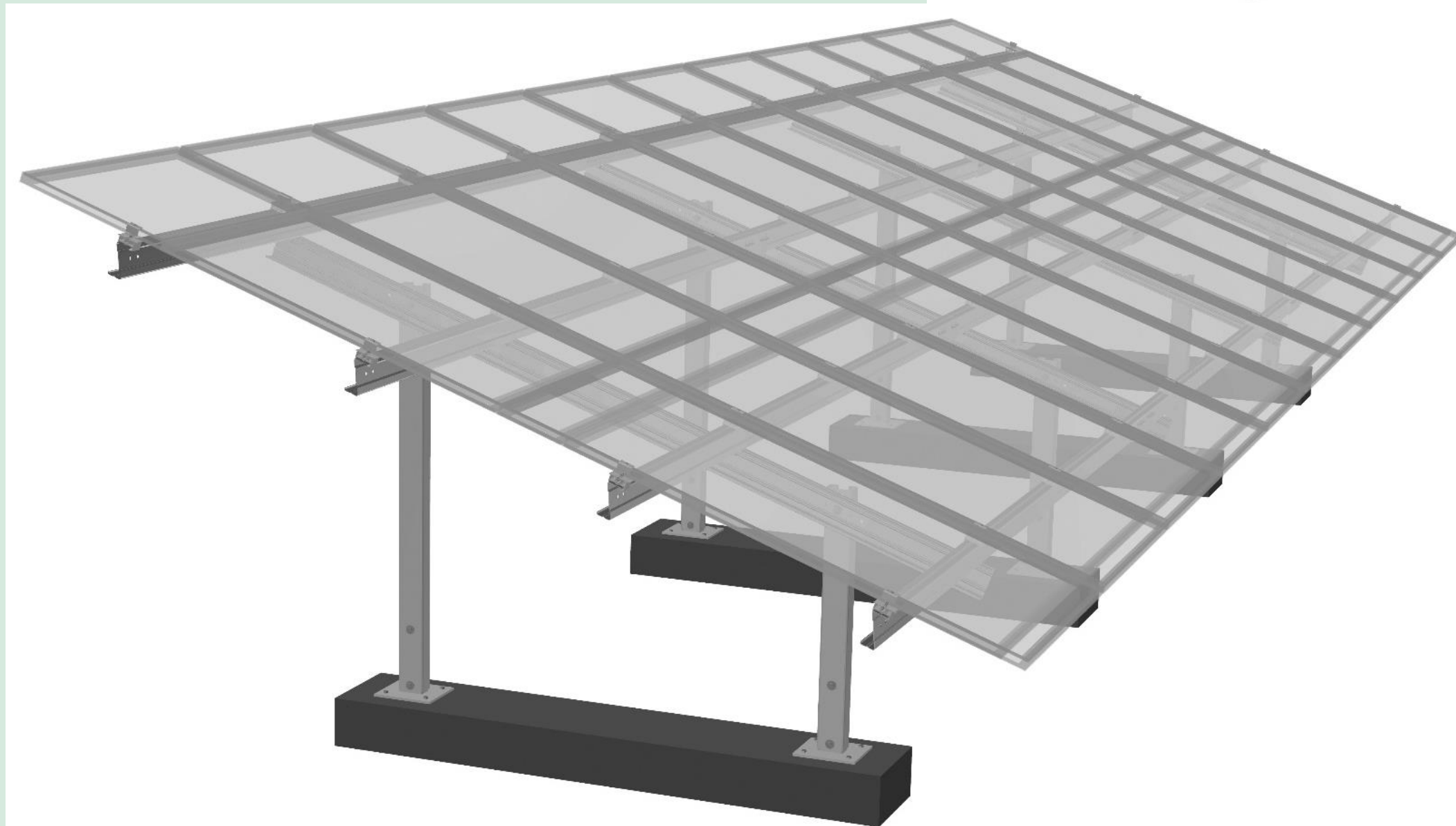
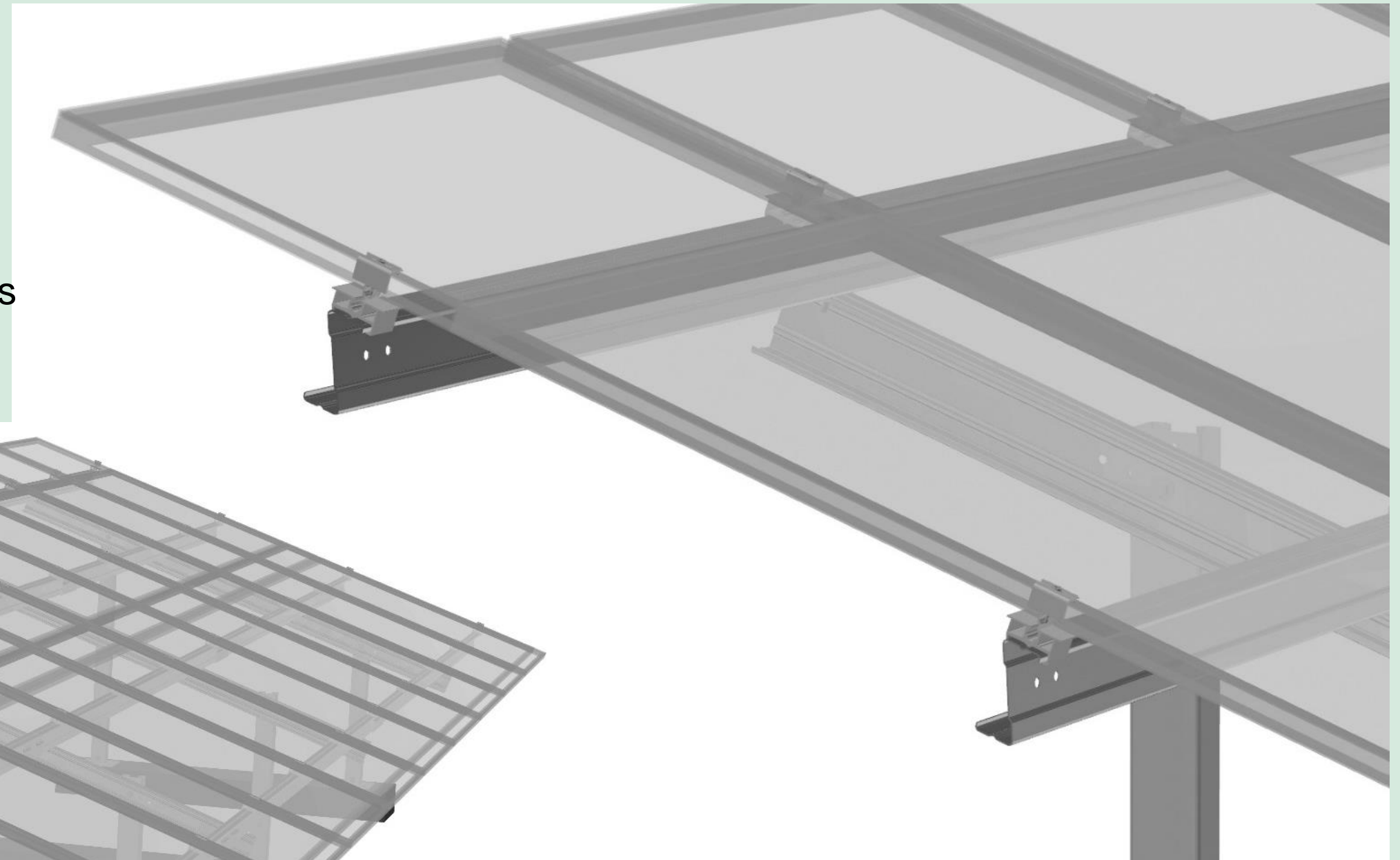
RapFix Pro  
for cross rail systems



# PROLINE

## PVMAX-S ENERGY KITS

- Ballasted ground mount system
- Ideal for landfill sites or residential areas
- Complete structural calculation
- Pre-assembled standard package for 22 modules (2 rows each 11 modules at 20° inclination)
- Quick installed





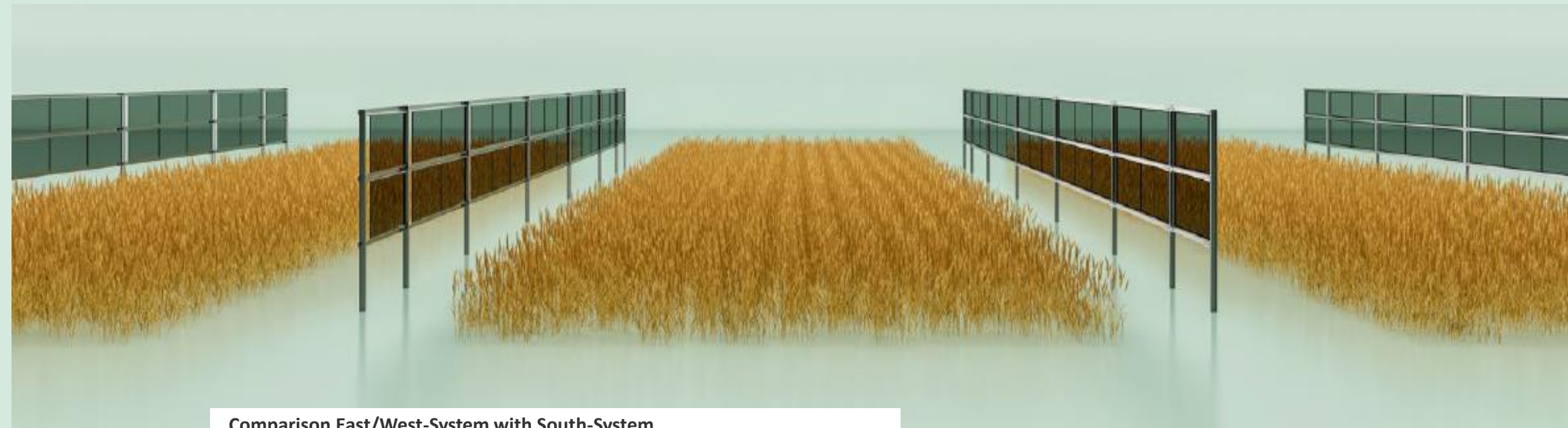
# SOLFARM



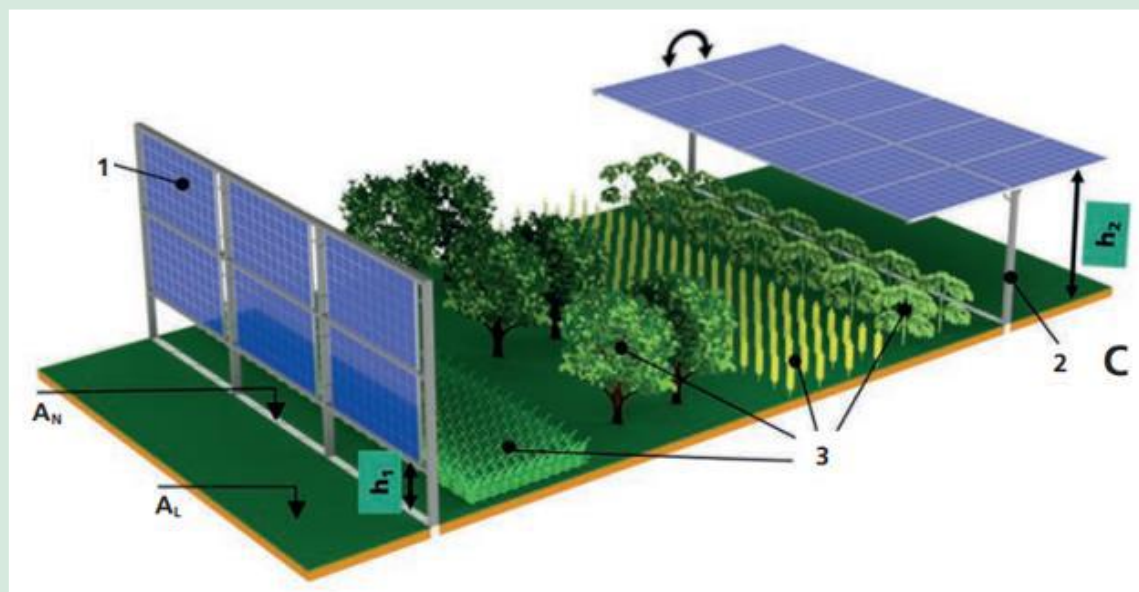
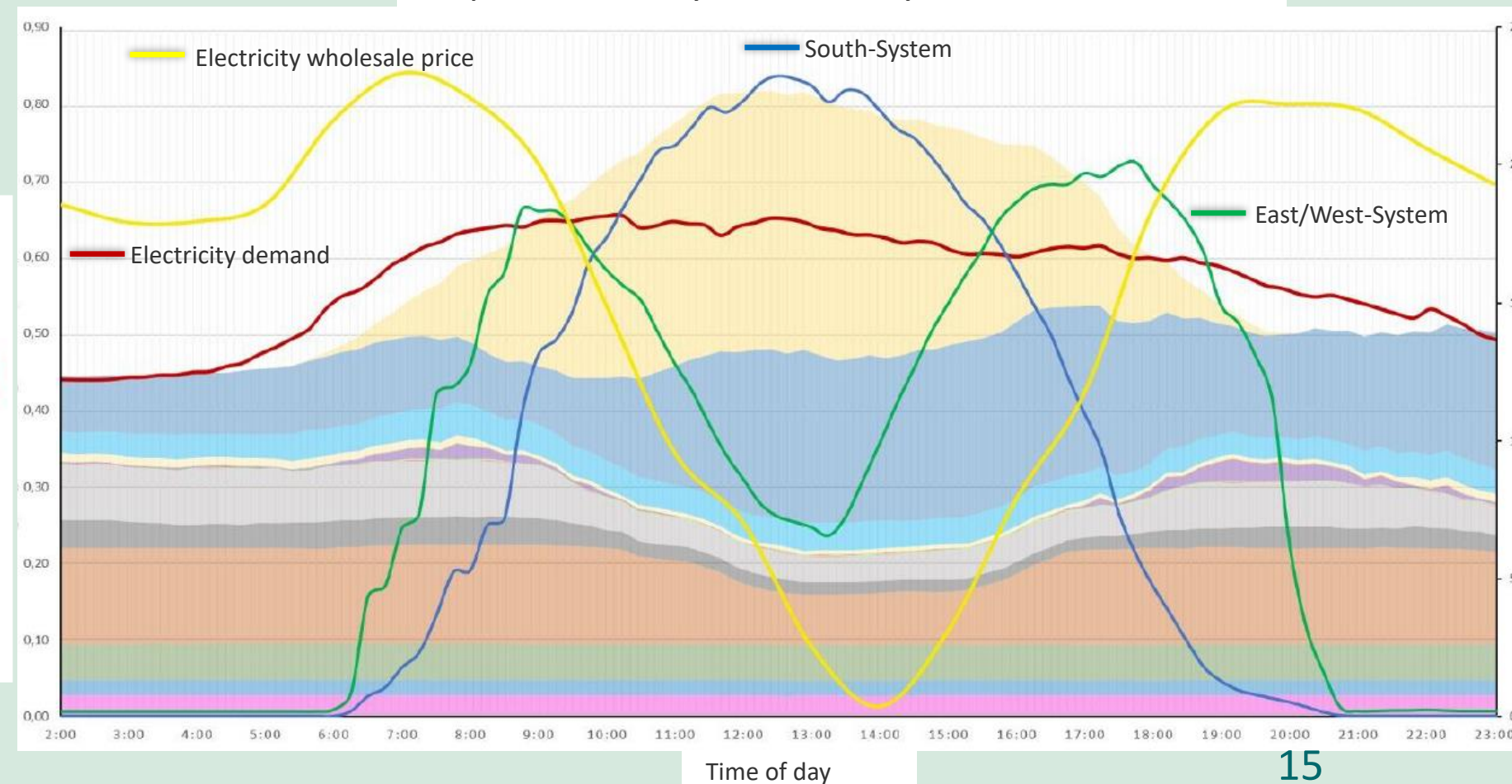
SCHLETTER

## MARKET REQUIREMENTS AND CHANCES

- Combined use of existing farming areas for power generation and agricultural purposes
- Optimal use of land when space is scarce
- Increase the productivity of the land up to 160% (= 80% pv energy + 80% agricultural use)
- Best with bifacial modules (front side orientation to West)
- Available in Q3/2023



Comparison East/West-System with South-System



Separate land use	
100% yield 1 ha	100% yield 1 ha
Combined land use	
160% yield 1 ha	80% pv energy + 80% agriculture



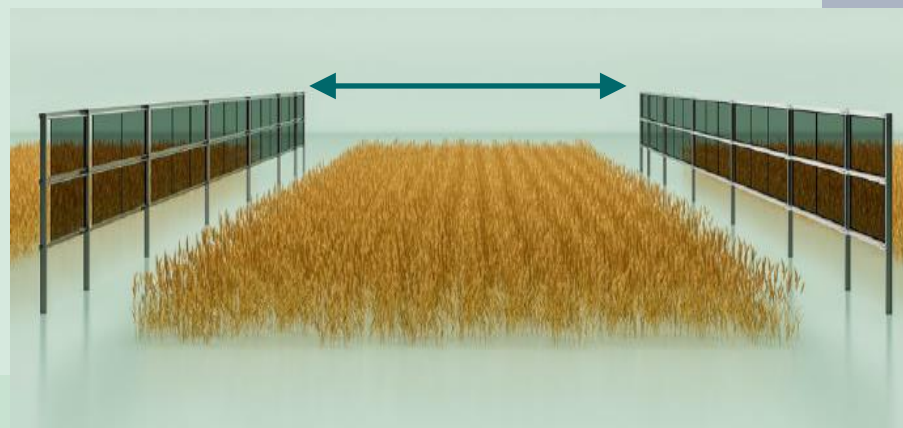
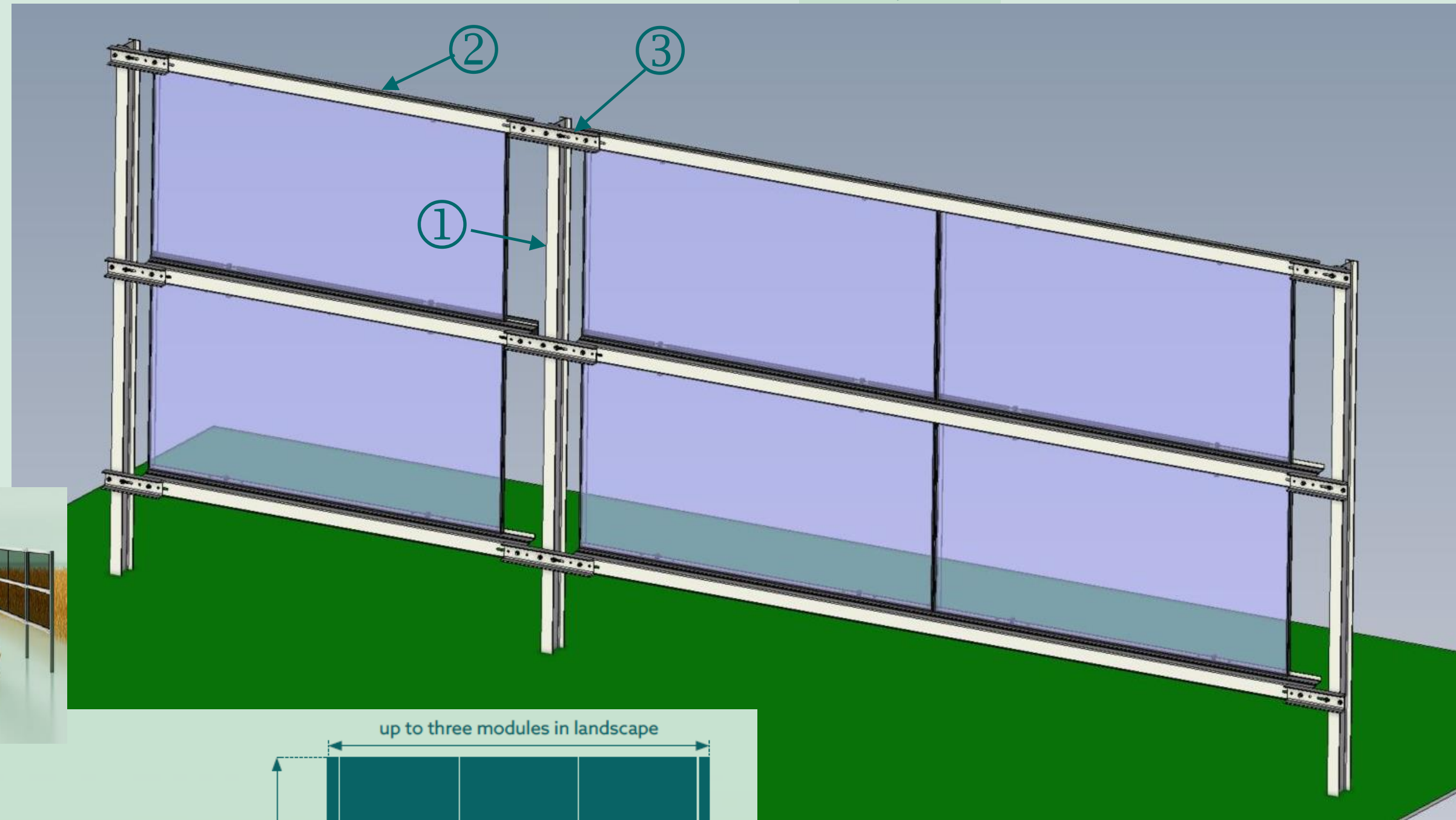
# SOLFARM



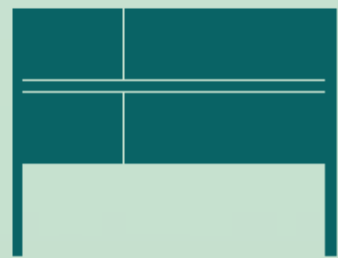
SCHLETTER

## PRODUCT DATA

- Suitable for large-format XXL modules (2,50 x 1,35 m)
- Only three main components (post ①, girder ②, connector ③)
- Optimization of row spacing taking into account the shading angles and the farm machinery employed



**W = 3L**  
**H = 2L**

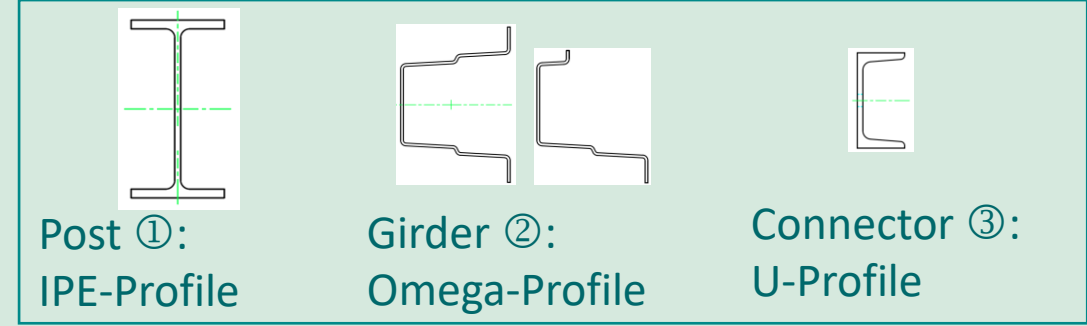
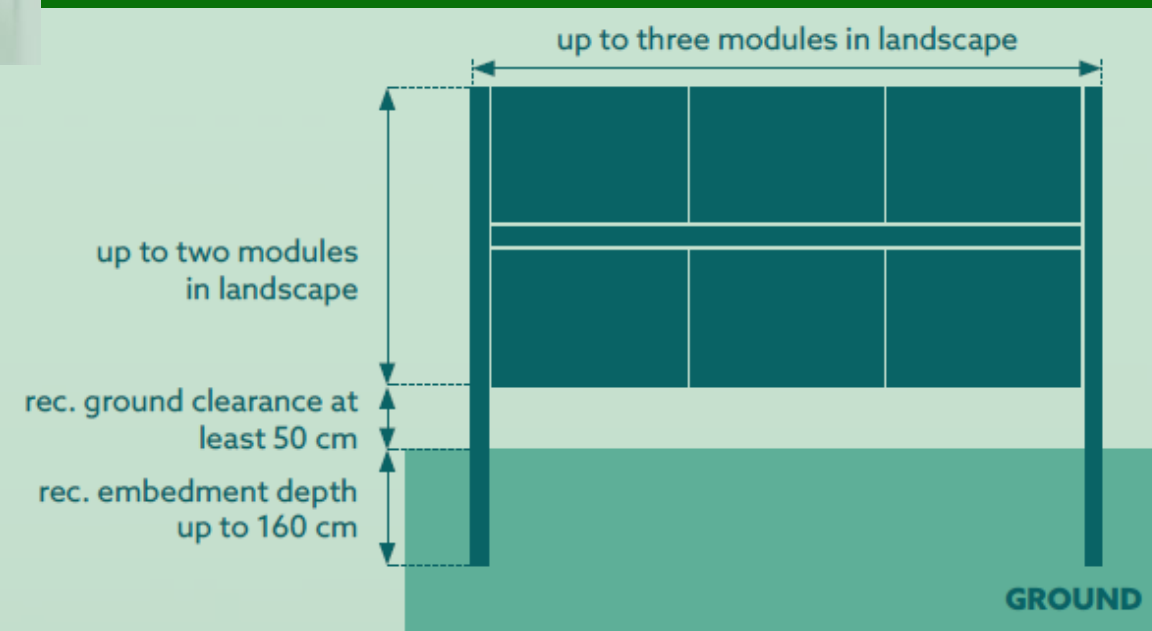


HEIGHT: UP TO 2 MODULES IN LANDSCAPE, WIDTH: UP TO 3 MODULES IN LANDSCAPE BETWEEN POSTS.

**150 m**



COHERENT TABLE INSTALLATION OF UP TO 150 m. UP TO 4 STRINGS.



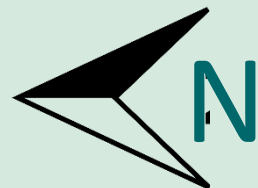
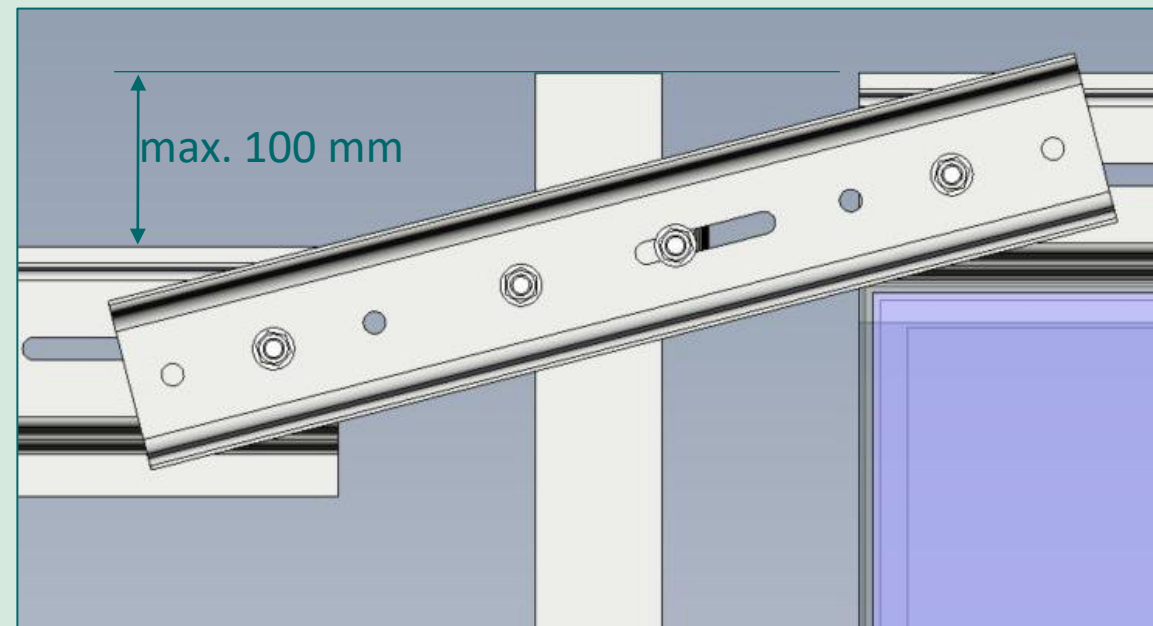
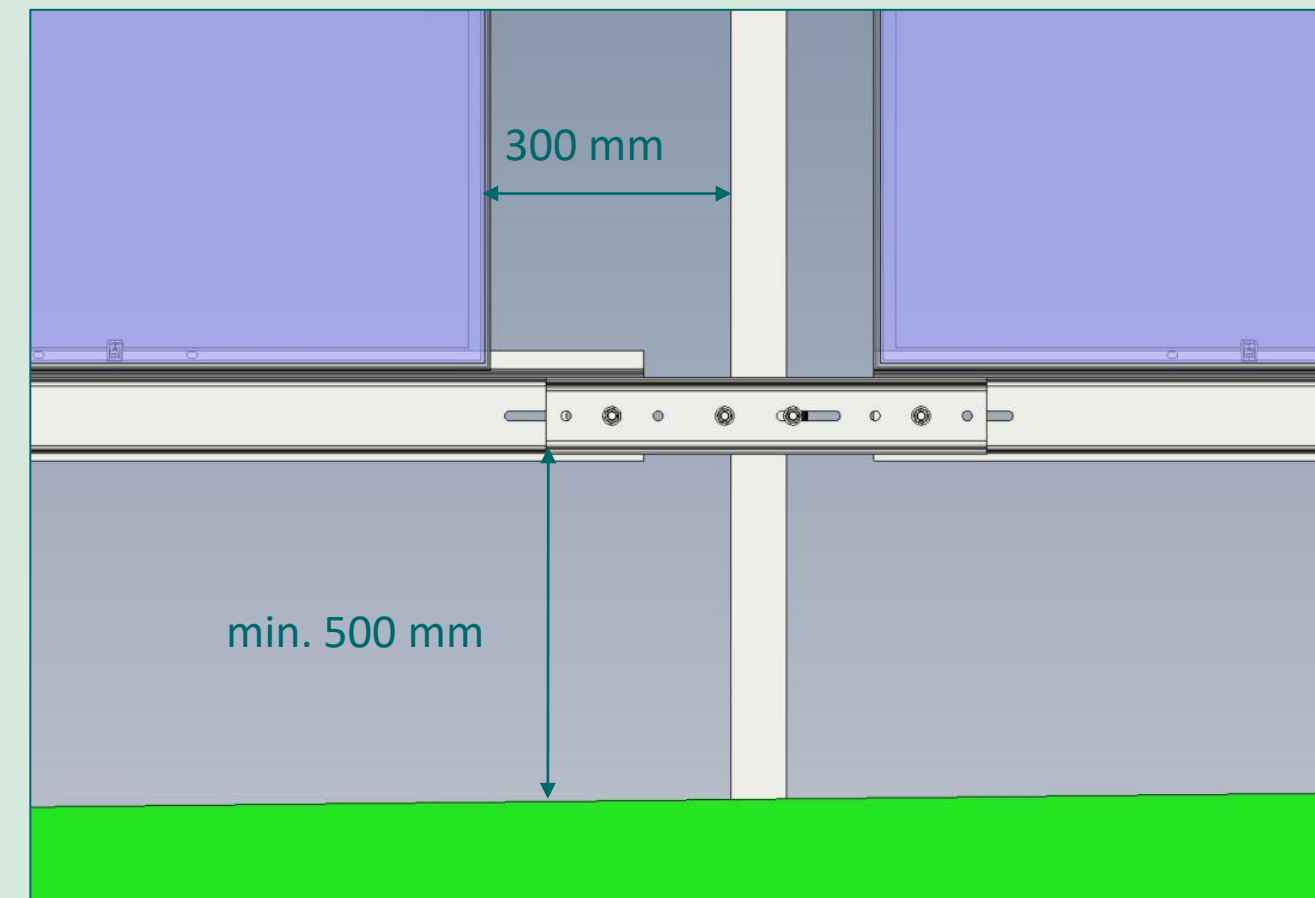
# SOLFARM

## PRODUCT DATA

- Optimal shading distance between module and post ( $a = 300 \text{ mm}$ )
- Ground clearance min. 500 mm / max. 1.000 mm
- Variable connection points enable height compensation ( $\Delta h = \pm 100 \text{ mm}$ ) of uneven terrain



**SCHLETTER**





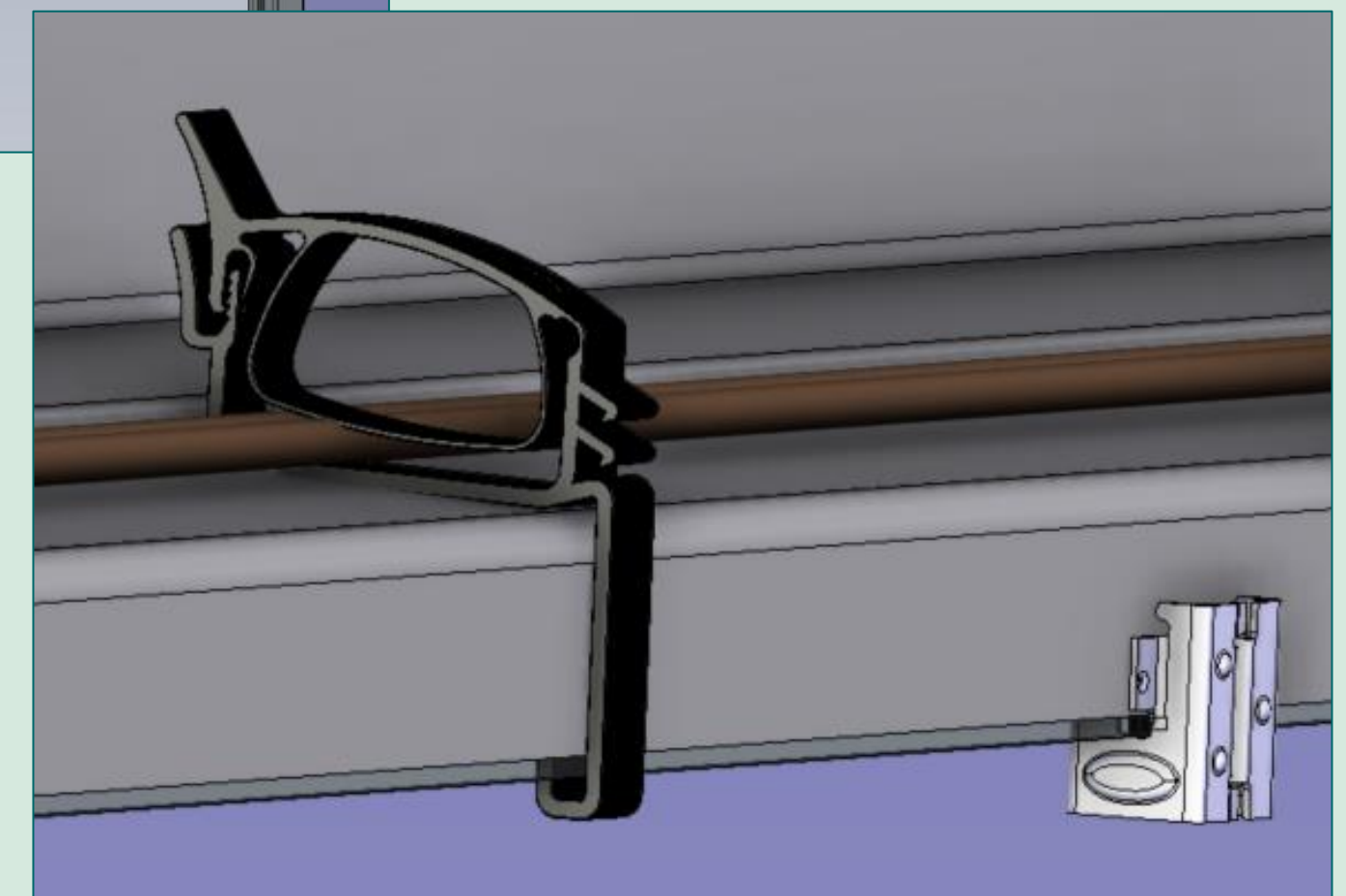
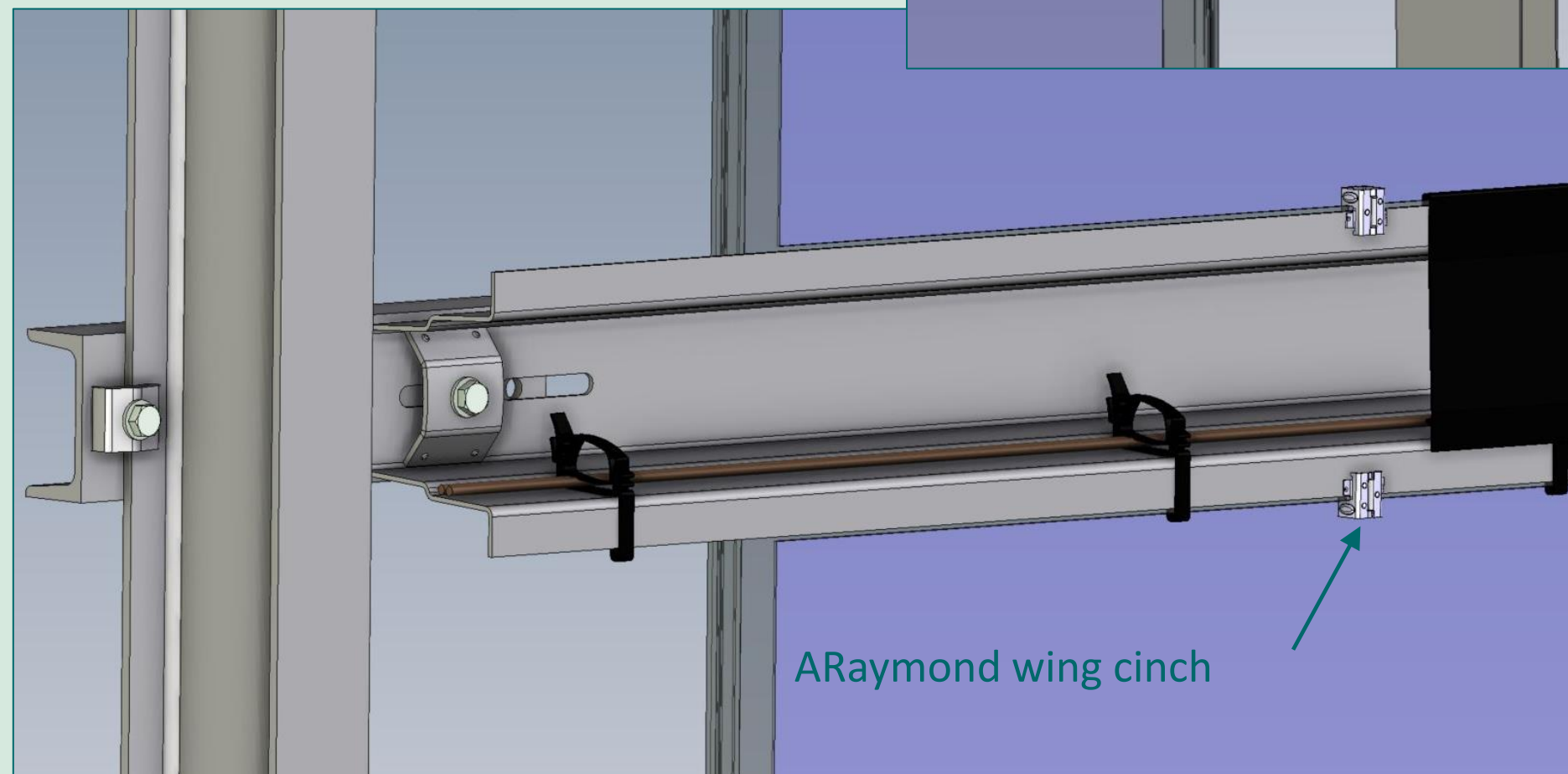
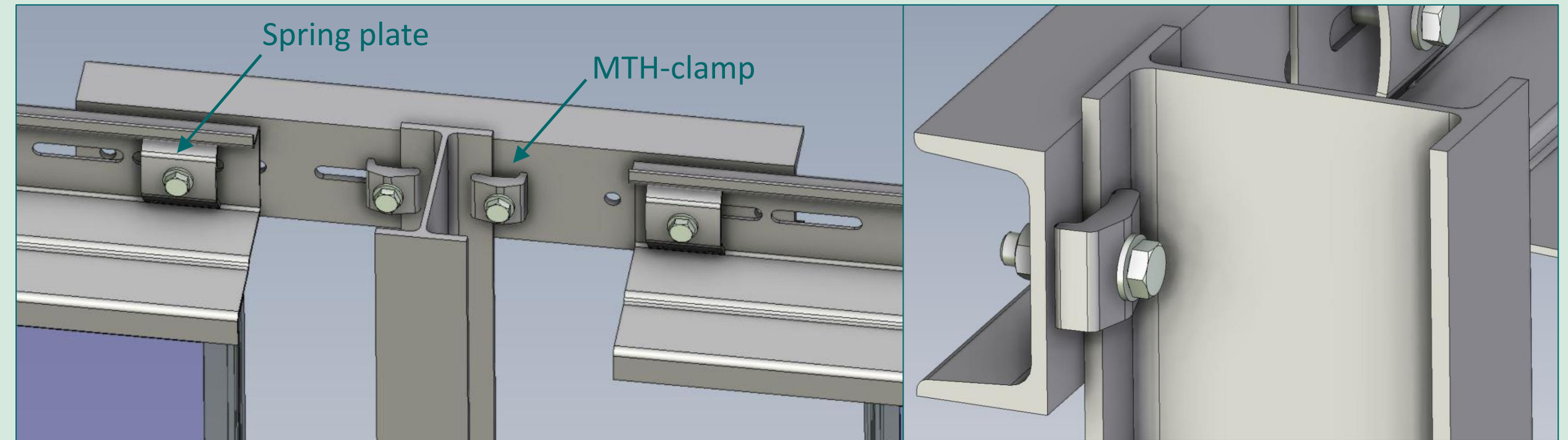
# SOLFARM



SCHLETTER

## PRODUCT DATA

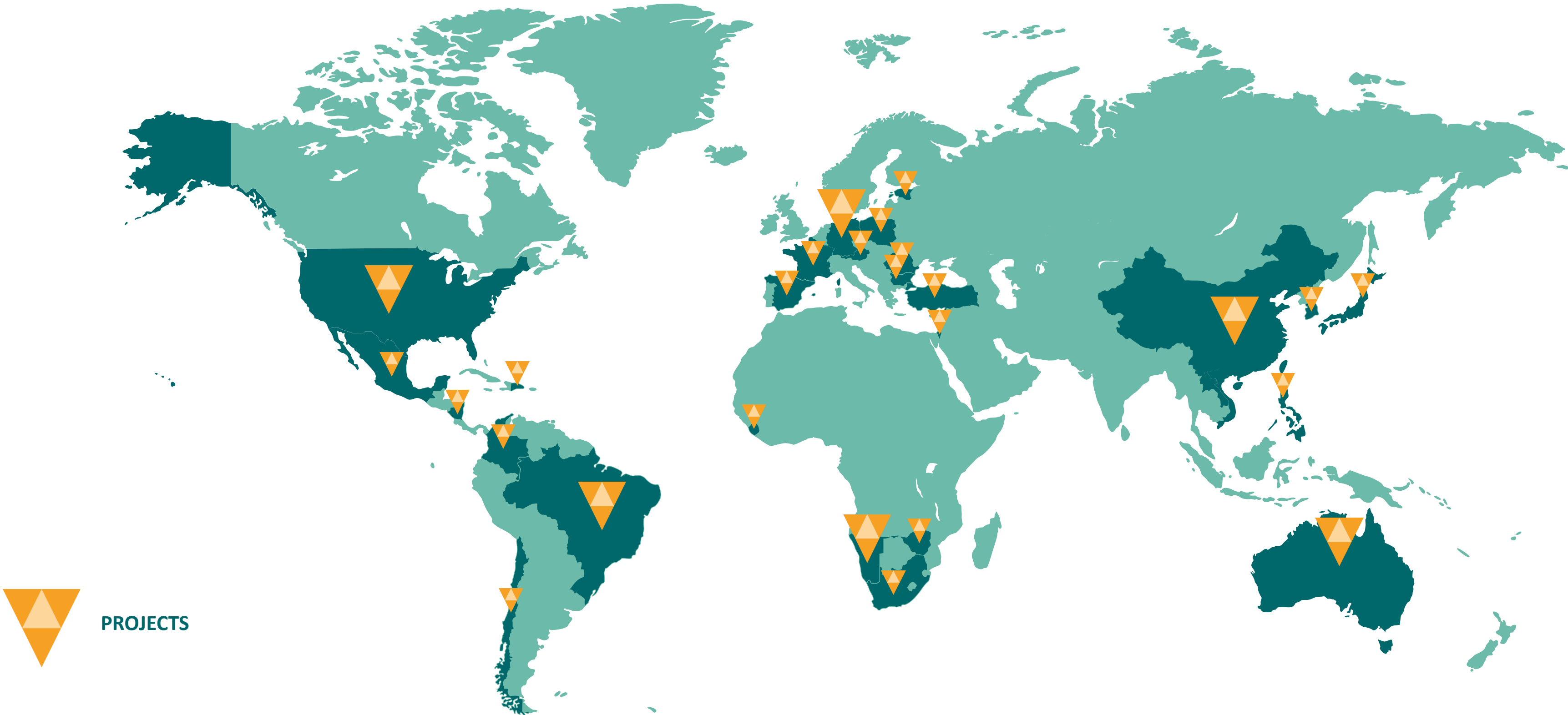
- Fast, simple, and flexible installation using clamp connections at all essential fastening points
- Module fixation & grounding by ARaymond clamps on the long frame side
- Optimal cable clamping with specifically designed cable clips and cable covers



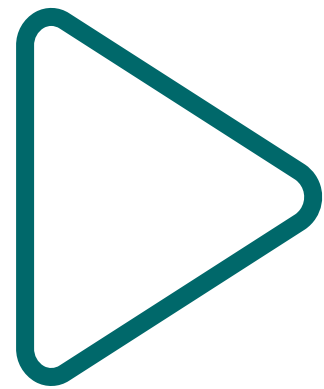
# OVER 45 GW SOLAR MOUNTING SYSTEMS INSTALLED

**SCHLETTER**

PROJECT REFERENCES WORLDWIDE







**CLICK**  
TO CHECK OUT OUR NEW  
IMAGE VIDEO.







**HOW CAN WE  
SUPPORT YOU  
MORE?**

[WWW.SCHLETTER-GROUP.COM](http://WWW.SCHLETTER-GROUP.COM)